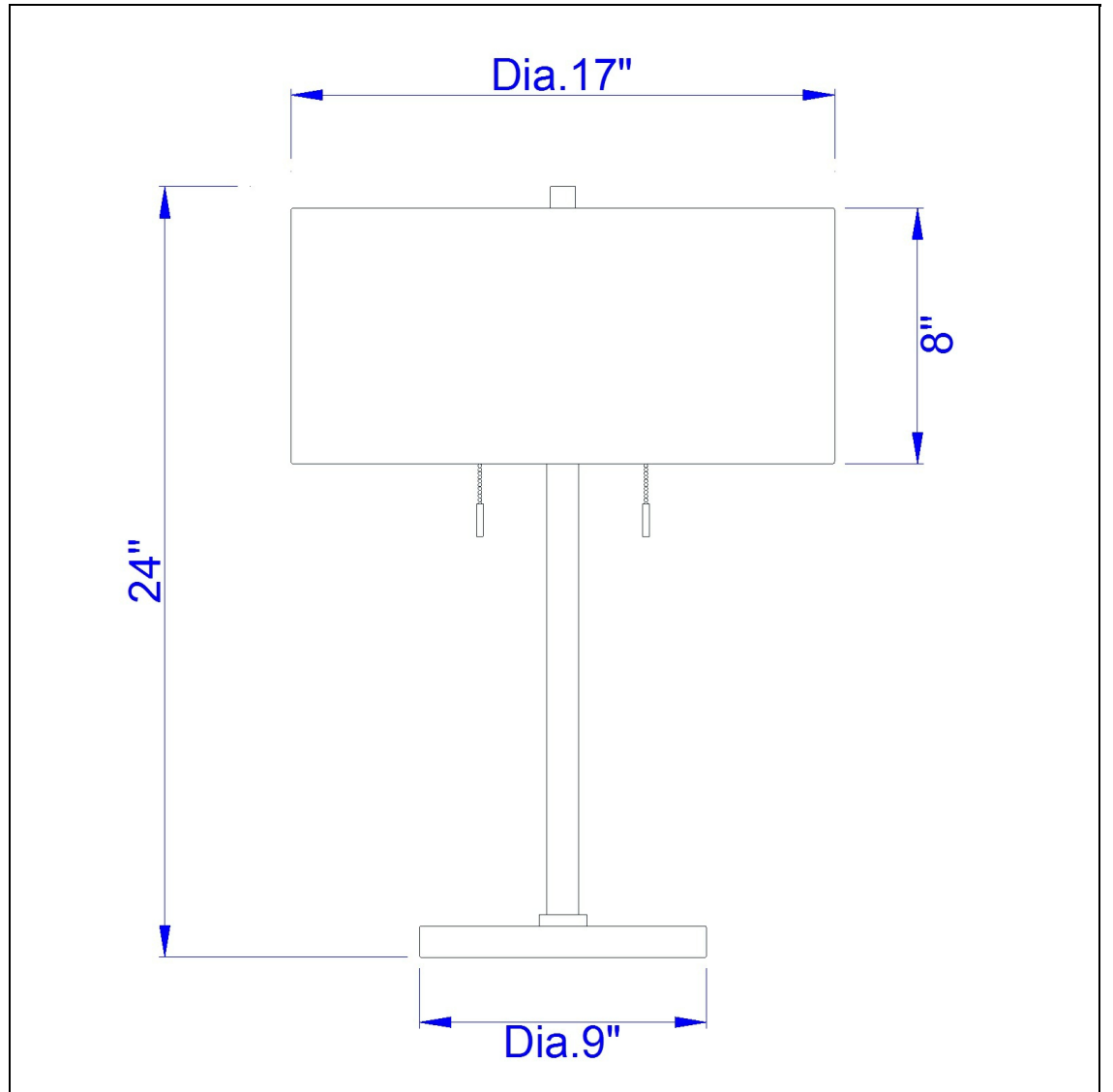


Product No. **BO-2450TB-BS**



Description

60W X 2 Calais Metal Table Lamp
Durable metal construction
Double bulb socket
Pull chain switch
Spider type shade
6 Foot cord
Ships in one carton
Ships in one carton
23.5" Height Metal Table Lamp in Brushed Steel

Technical Specifications

UPC	020193067284	Shade Top1	17.00
Wattage	60WX2	Shade Side	8.00
CRI	N/A	Carton 1 Dimensions	13.80 x 18.50 x 18.50
Lumen	N/A	Carton 2 Dimensions	0.00 x 0.00 x 18.50
Switch Type	On/Off	Package Dimensions	L: 18.50 W: 18.50 H: 13.80
Bulb Base	E26		
Number of Lights	2		
Color	Brushed Steel		
Base Color	Brushed Steel		