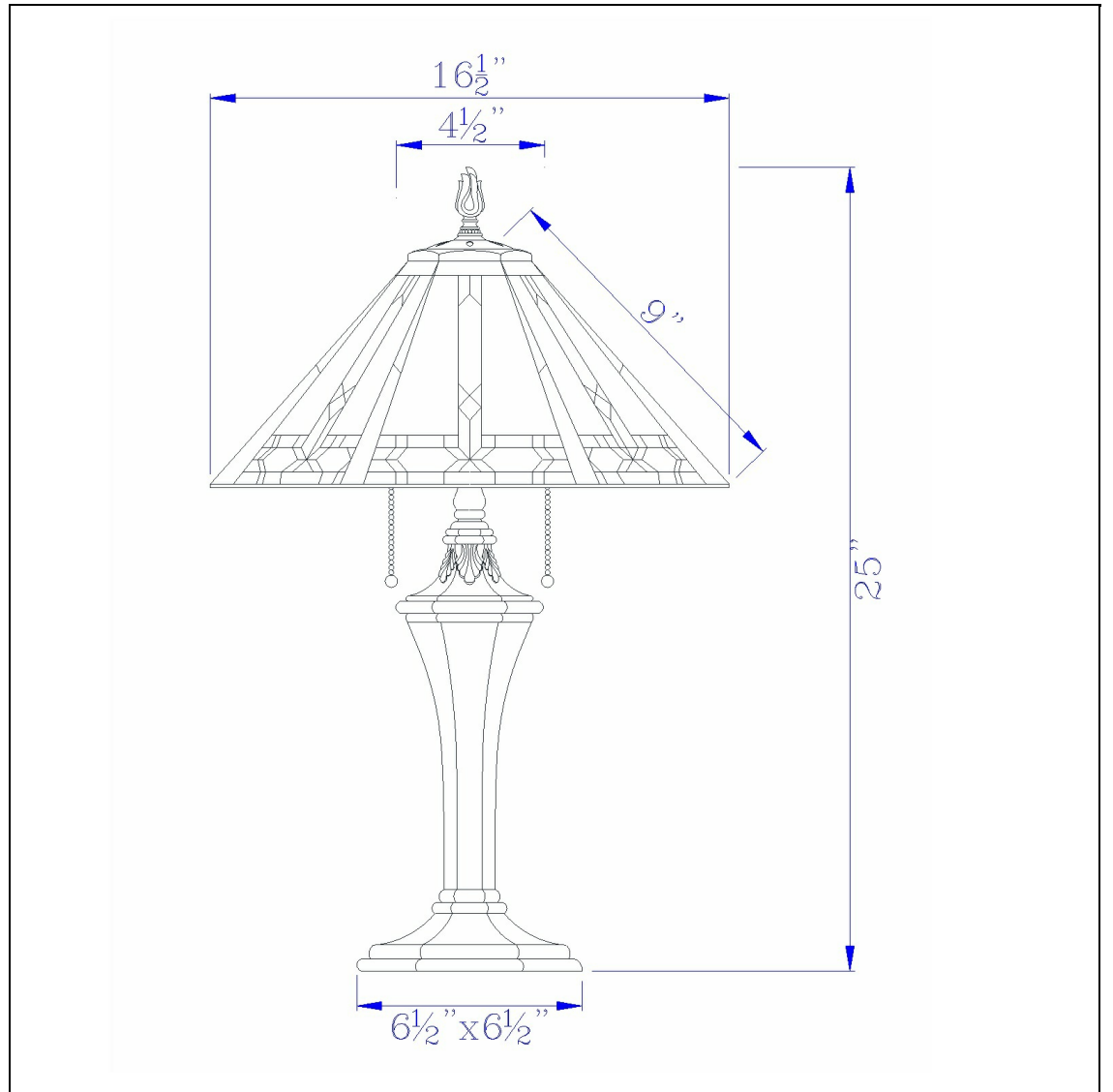


Product No. **BO-2717TB**



Description

60W X 2 Tiffany Table Lamp  
Durable Resin Construction  
Features a Functional Double Pull Chain  
Includes a Colorful Stained Glass Tiffany Shade  
Double Light with On/Off Setting  
Ships in One Carton  
Ships in One Carton

Technical Specifications

<b>UPC</b>	020193067284	<b>Shade Top1</b>	4.50
<b>Wattage</b>	60WX2	<b>Shade Bottom1</b>	16.50
<b>CRI</b>	N/A	<b>Shade Side</b>	8.50
<b>Lumen</b>	N/A	<b>Carton 1 Dimensions</b>	22.80 x 10.50 x 20.50
<b>Switch Type</b>	On/Off	<b>Carton 2 Dimensions</b>	0.00 x 0.00 x 20.50
<b>Bulb Base</b>	A19	<b>Package Dimensions</b>	L: 20.50 W: 10.50 H: 22.80
<b>Number of Lights</b>	2		
<b>Color</b>	Tiffany		
<b>Base Color</b>	Tiffany		