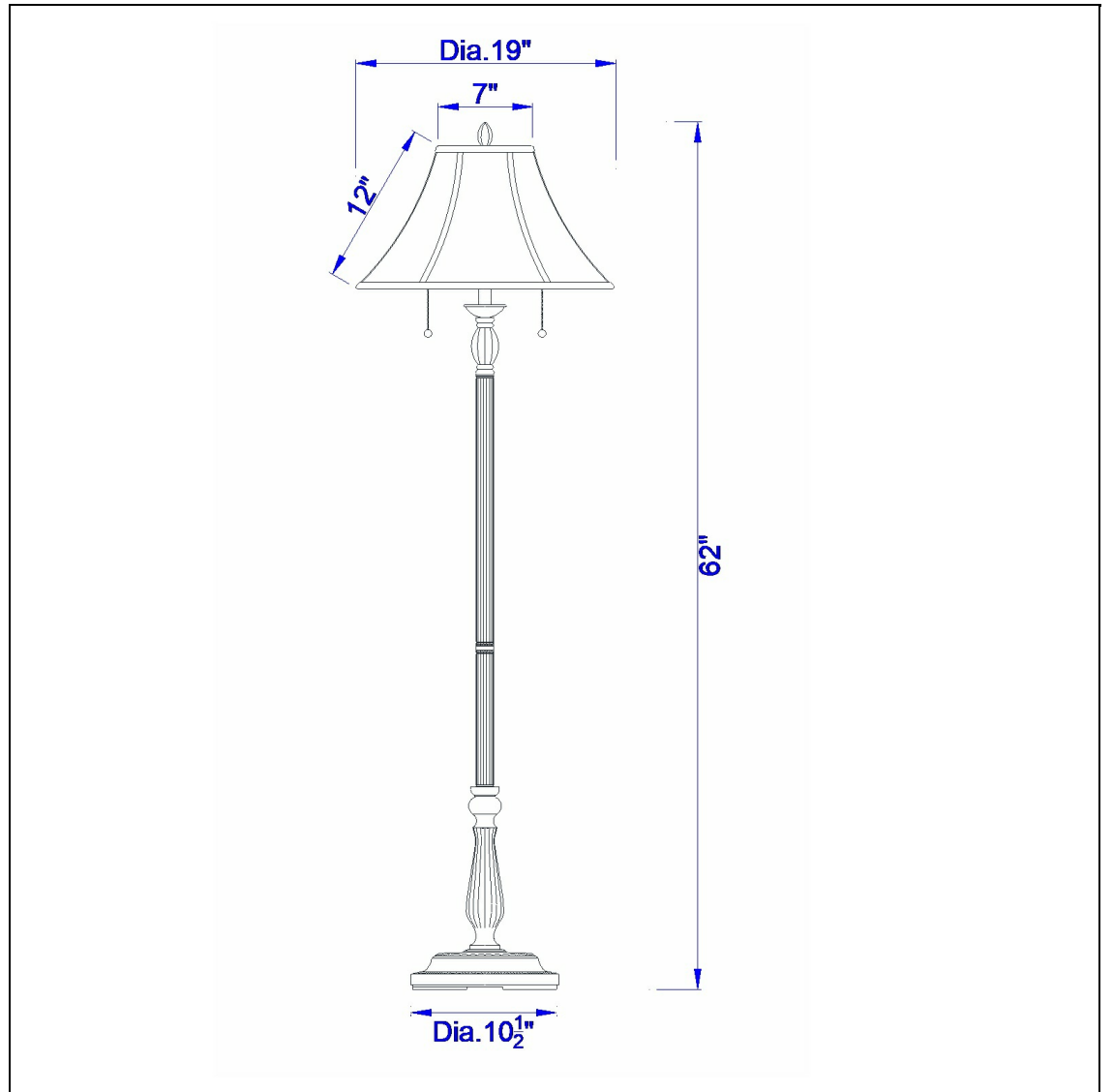


Product No. **BO-581FL**



Description

60W X 2 Floor Lamp  
Durable metal construction  
Double socket  
Little to no assembly required  
Pull chain switch  
Pull chain switch  
62" Height Metal Floor lamp in Antique Rust

Technical Specifications

|                         |              |                            |                           |
|-------------------------|--------------|----------------------------|---------------------------|
| <b>UPC</b>              | 020193067284 | <b>Carton 1 Dimensions</b> | 17.00 x 6.50 x 13.30      |
| <b>Wattage</b>          | 60WX2        | <b>Carton 2 Dimensions</b> | 12.00 x 20.00 x 13.30     |
| <b>CRI</b>              | N/A          | <b>Carton 3 Dimensions</b> | 20.00 x 20.00 x 13.00     |
| <b>Lumen</b>            | N/A          | <b>Package Dimensions</b>  | L: 13.30 W: 6.50 H: 17.00 |
| <b>Switch Type</b>      | On/Off       |                            |                           |
| <b>Bulb Base</b>        | E26          |                            |                           |
| <b>Number of Lights</b> | 2            |                            |                           |
| <b>Color</b>            | Antique Rust |                            |                           |
| <b>Base Color</b>       | Antique Rust |                            |                           |