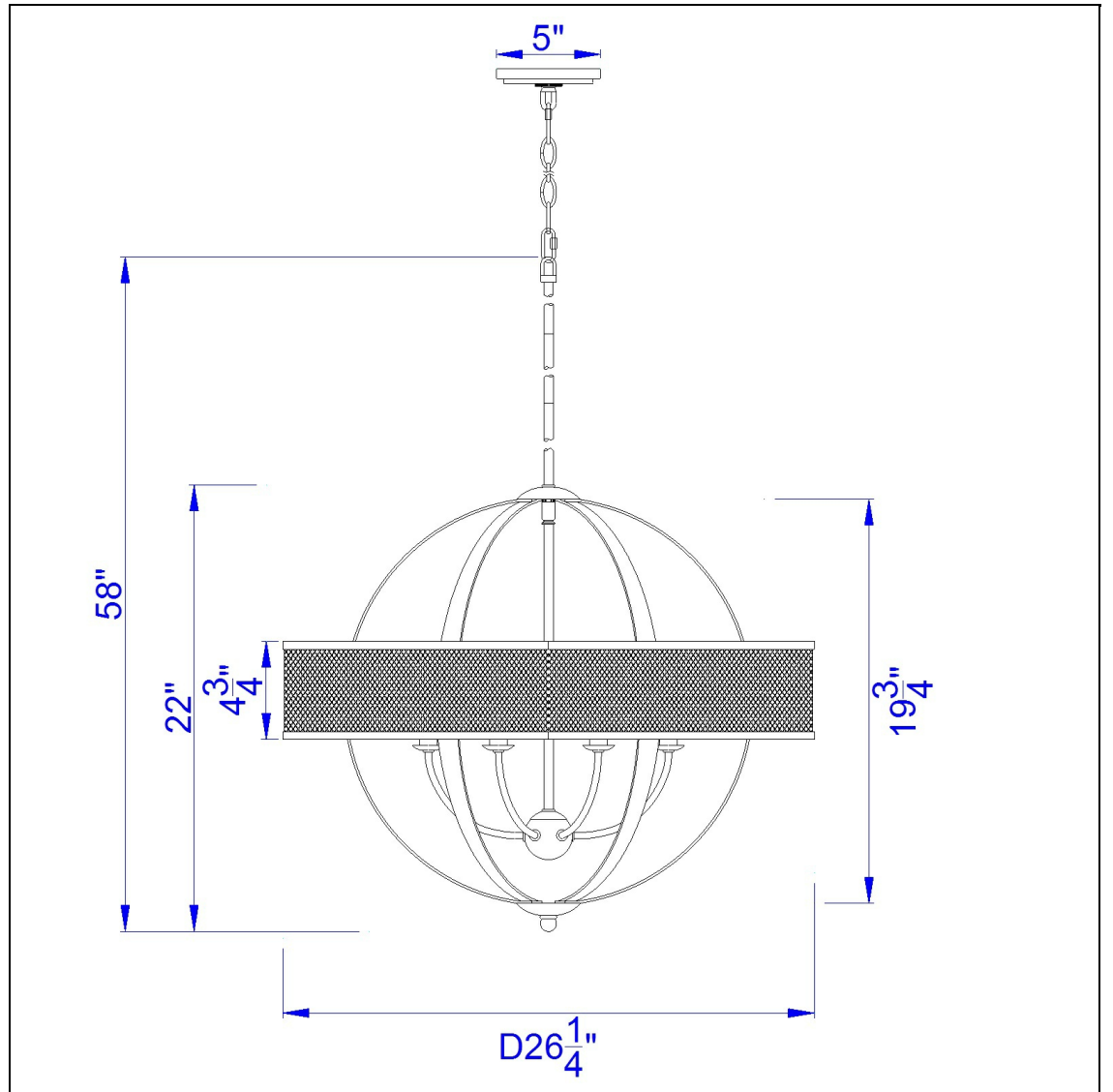


Product No. **FX-3622-6**



Description

60W X 6 Willow Chandelier (Edison Bulbs Not included)
Durable Steel Construction
6 Foot Chain
Ships In One Carton
Ships In One Carton
22" Inch Tall Steel Chandelier in Brushed Steel Finish

Technical Specifications

UPC	020193067284	Carton 1 Dimensions	10.60 x 28.80 x 28.80
Wattage	60WX6	Carton 2 Dimensions	0.00 x 0.00 x 28.80
CRI	N/A	Package Dimensions	L: 28.80 W: 28.80 H: 10.60
Lumen	N/A		
Switch Type	Hardwired		
Bulb Base	E12		
Number of Lights	6		
Color	Brushed Steel		
Base Color	Brushed Steel		