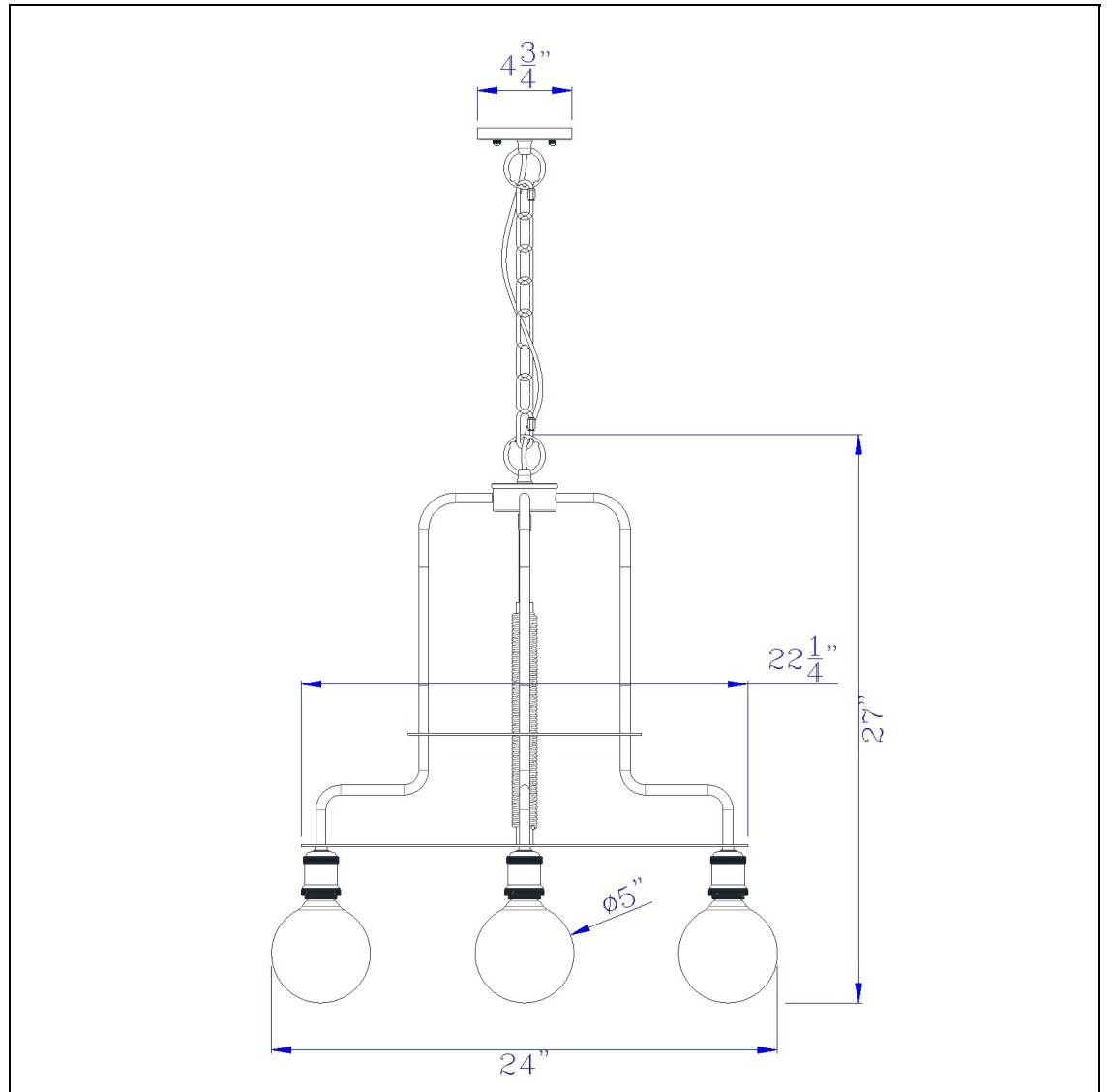


Product No. **FX-3652-5**



Description

60W X 5 Transformer metal Chandelier
(Edison Bulbs included)
Durable Metal Construction
Includes 6 Feet of Chain
Edison Bulb Included
Canopy Included
Ships in One Carton
Ships in One Carton

Technical Specifications

UPC	020193067284	Carton 1 Dimensions	25.30 x 26.50 x 26.50
Wattage	60WX5	Carton 2 Dimensions	0.00 x 0.00 x 26.50
CRI	N/A	Package Dimensions	L: 26.50 W: 26.50 H: 25.30
Lumen	N/A		
Switch Type	Hardwired		
Bulb Base	A19		
Number of Lights	5		
Color	Brushed Steel		
Base Color	Brushed Steel		