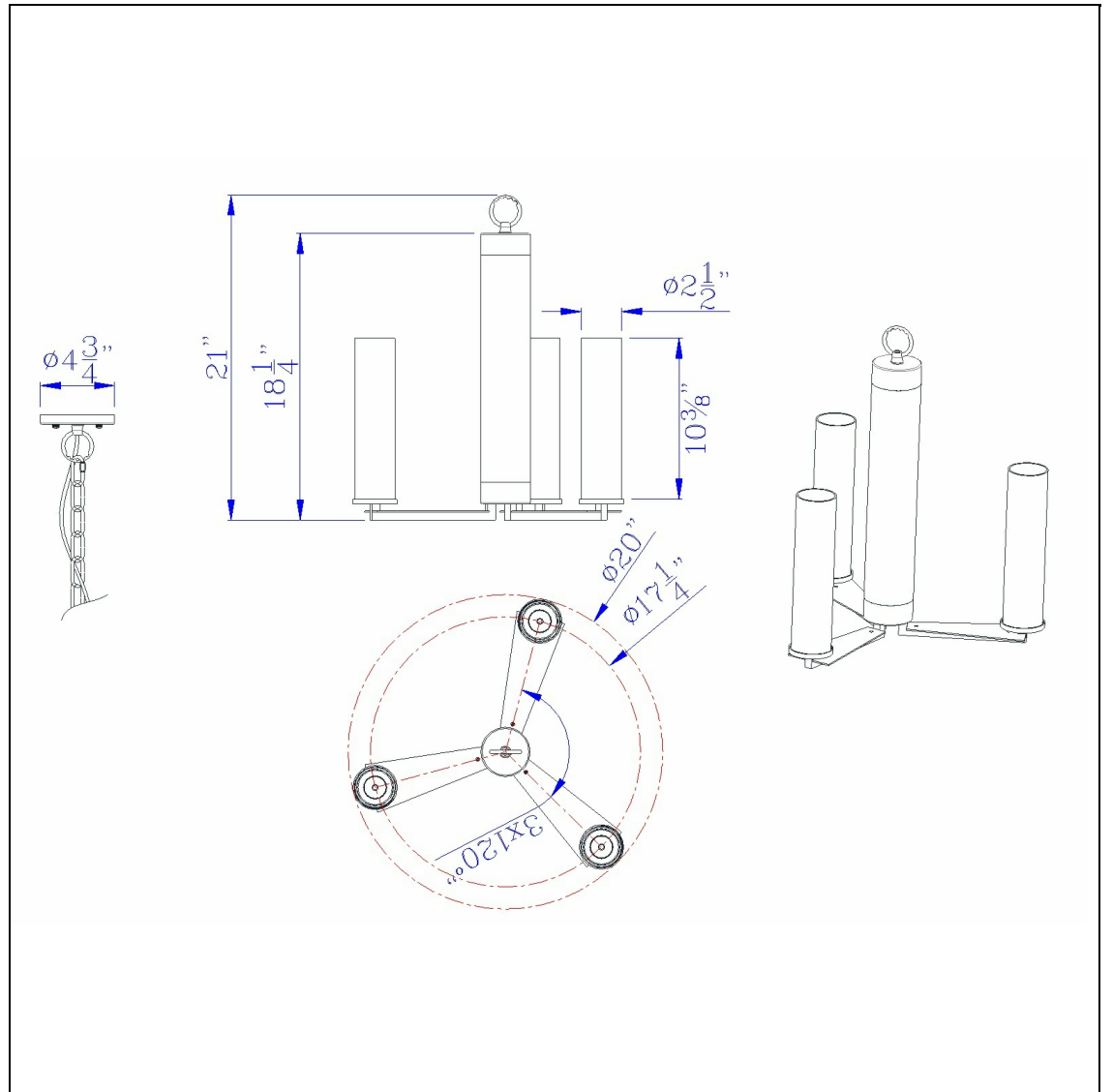


Product No. **FX-3665-3**



Description

60W X 3 Silverton Metal/Wood 3 Light Chandelier With Glass Shades. (Edison Bulbs included)  
Durable Metal and Wood Construction  
Clear Cylinder Glass Shades Included  
Includes 6 Feet of Chain  
Ships in One Carton  
Edison Bulb Included  
Edison Bulb Included  
21" Height Metal and Wood Chandelier  
Fixture in Black/Wood Finish

Technical Specifications

<b>UPC</b>	020193067284	<b>Shade Top1</b>	2.50
<b>Wattage</b>	60WX3	<b>Shade Bottom1</b>	2.50
<b>CRI</b>	N/A	<b>Shade Side</b>	10.40
<b>Lumen</b>	N/A	<b>Carton 1 Dimensions</b>	7.80 x 23.00 x 23.00
<b>Switch Type</b>	Hardwired	<b>Carton 2 Dimensions</b>	0.00 x 0.00 x 23.00
<b>Bulb Base</b>	E26	<b>Package Dimensions</b>	L: 23.00 W: 23.00 H: 7.80
<b>Number of Lights</b>	3		
<b>Color</b>	Dark Bronze/Wood		
<b>Base Color</b>	Black/Wood		