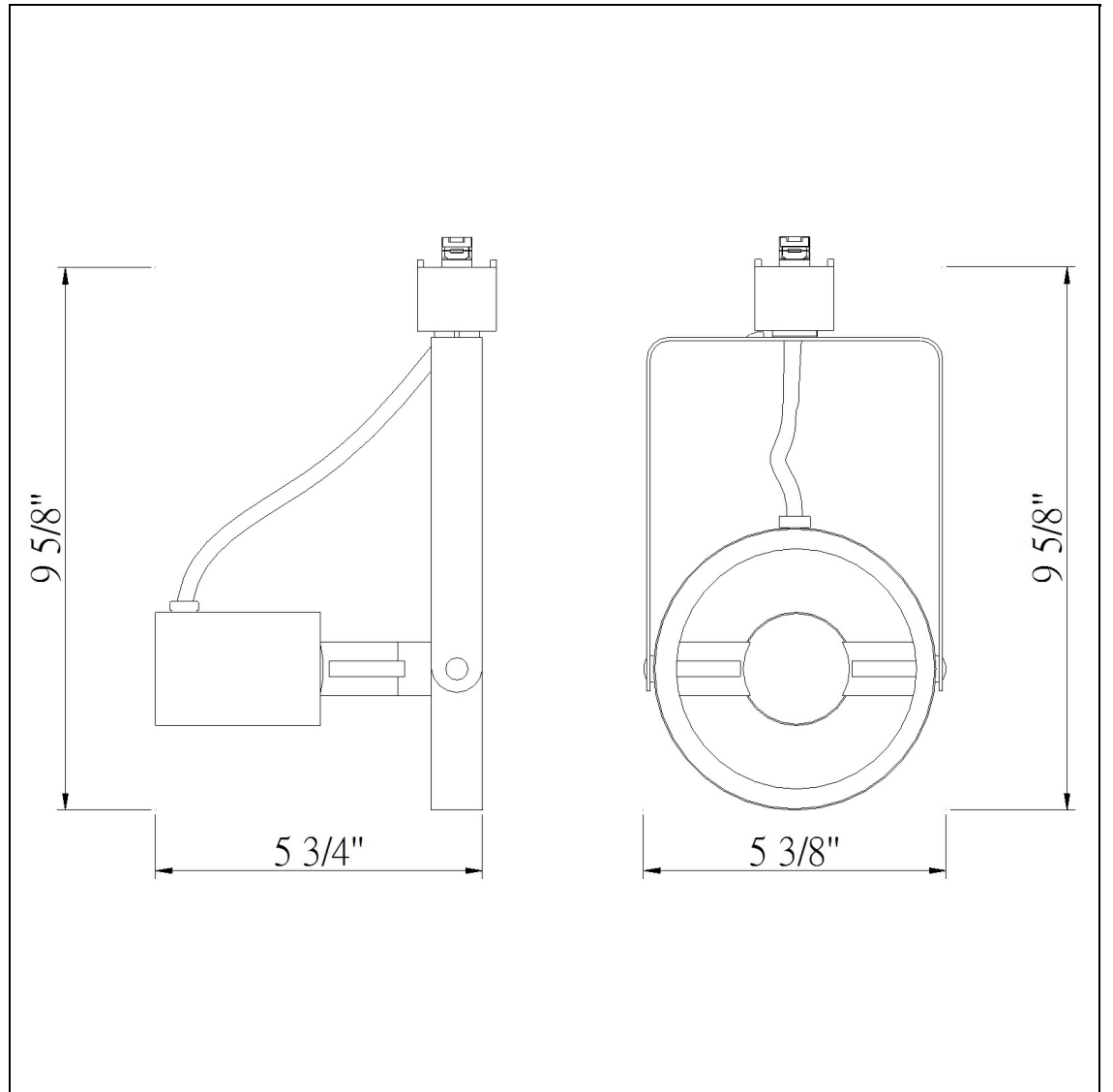


Product No. **HT-203-BS**



Description

120V, Par38, 90W Max.  
Durable Metal Construction  
Adjustable head track fixture  
±30 degree from horizontal  
355 Degree Rotation Capability  
Ships in one Carton  
Ships in one Carton

Technical Specifications

|                         |               |
|-------------------------|---------------|
| <b>UPC</b>              | 020193067284  |
| <b>Wattage</b>          | 150W          |
| <b>CRI</b>              | N/A           |
| <b>Lumen</b>            | N/A           |
| <b>Switch Type</b>      | Track         |
| <b>Bulb Base</b>        | PAR38         |
| <b>Number of Lights</b> | 1             |
| <b>Color</b>            | Brushed Steel |
| <b>Base Color</b>       | Brushed Steel |

|                            |                           |
|----------------------------|---------------------------|
| <b>Carton 1 Dimensions</b> | 9.00 x 18.50 x 24.60      |
| <b>Carton 2 Dimensions</b> | 0.00 x 0.00 x 24.60       |
| <b>Package Dimensions</b>  | L: 24.60 W: 18.50 H: 9.00 |