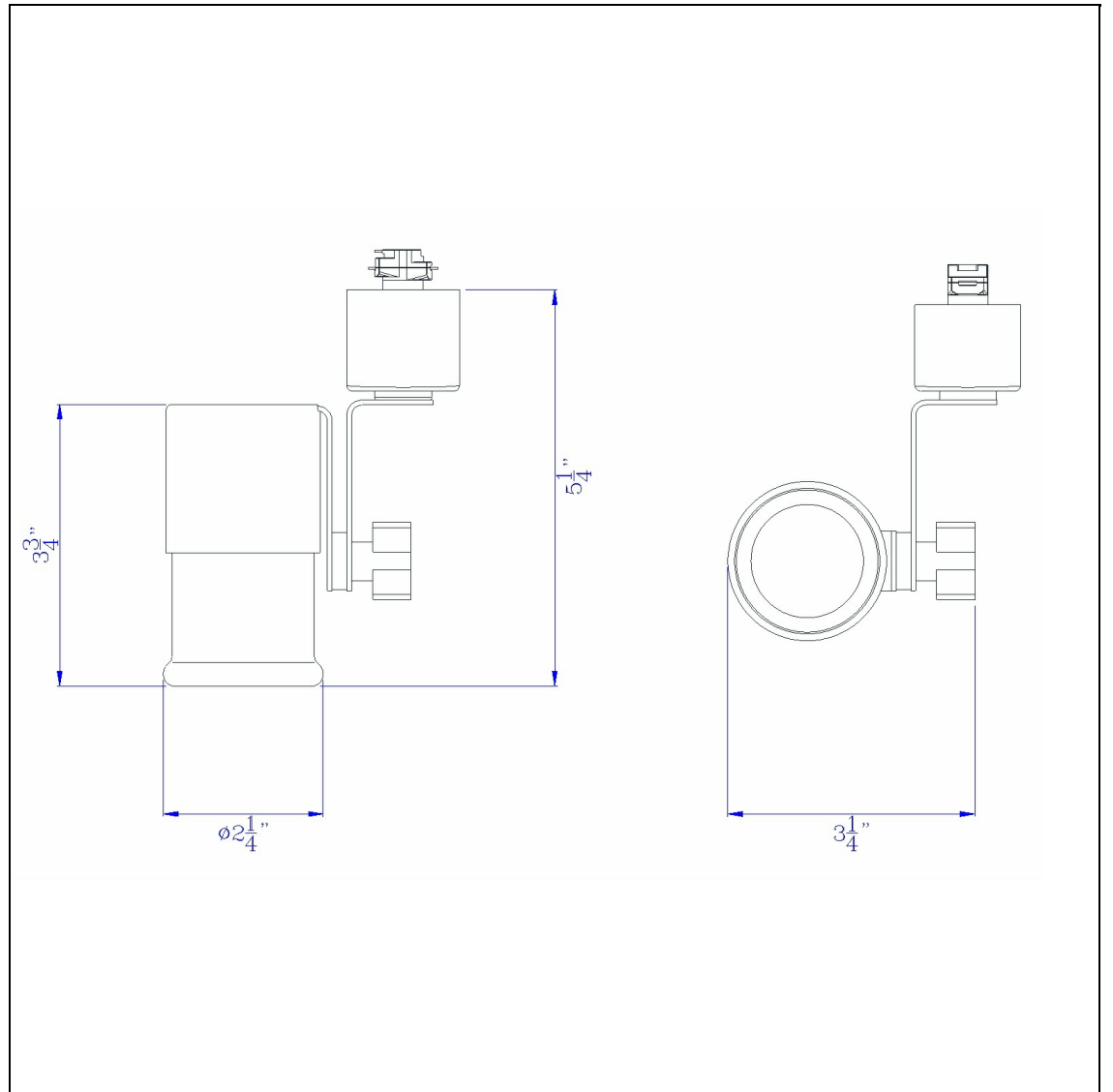


Product No. **HT-226-BS**



Description

Line Voltage,Adjustable Universal
Durable Metal Construction
Adjustable head track fixture
+90 degree from horizontal
355 Degree Rotation Capability
Ships in one Carton
Ships in one Carton

Technical Specifications

UPC	020193067284
Wattage	150W
CRI	N/A
Lumen	N/A
Switch Type	Track
Bulb Base	ANY PAR
Number of Lights	1
Color	Brushed Steel
Base Color	Brushed Steel

Carton 1 Dimensions	11.30 x 9.90 x 13.50
Carton 2 Dimensions	0.00 x 0.00 x 13.50
Package Dimensions	L: 13.50 W: 9.90 H: 11.30