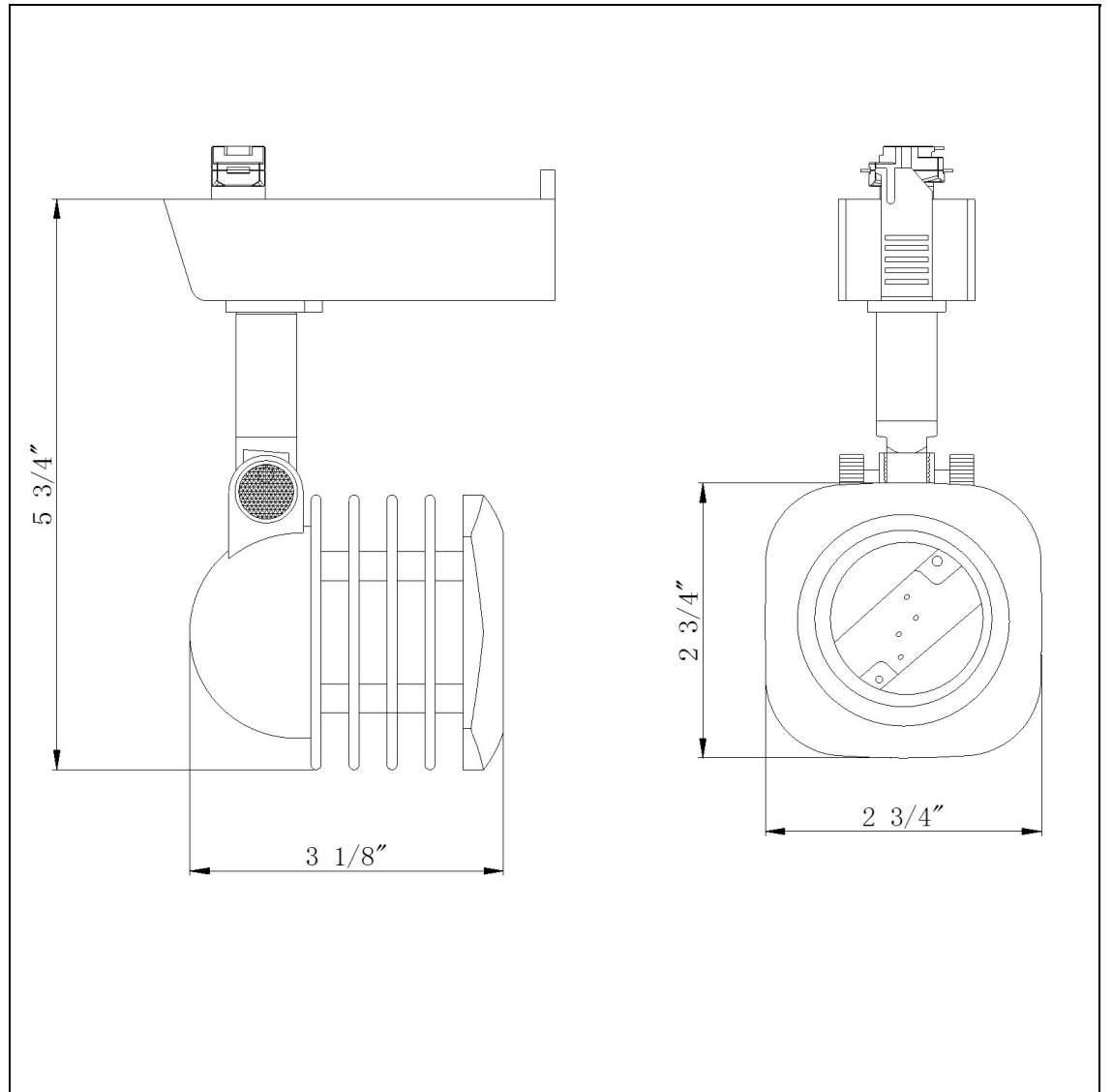


Product No. **HT-261A-BK**



Description

Low Voltage, MR-16, 50W
Durable Metal Construction
Adjustable head track fixture
±30 degree from horizontal
355 Degree Rotation Capability
Ships in one Carton
Ships in one Carton

Technical Specifications

UPC	020193067284
Wattage	50W
CRI	N/A
Lumen	N/A
Switch Type	Track
Bulb Base	MR-16
Number of Lights	1
Color	Black
Base Color	Black

Carton 1 Dimensions	7.40 x 14.80 x 15.40
Carton 2 Dimensions	0.00 x 0.00 x 15.40
Package Dimensions	L: 15.40 W: 14.80 H: 7.40