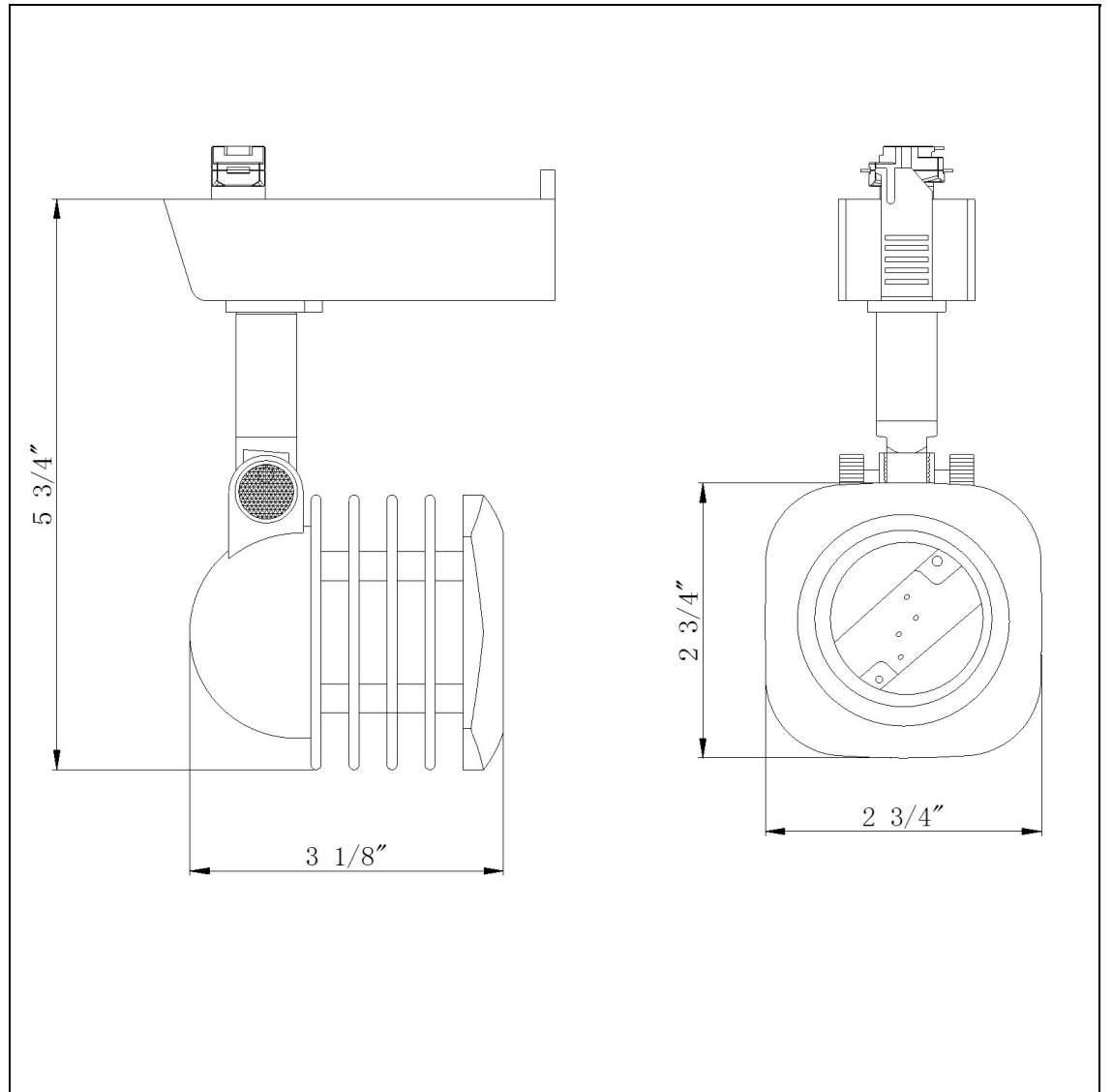


Product No. **HT-261A-WH**



Description

Low Voltage, MR-16, 50W  
Durable Metal Construction  
Adjustable head track fixture  
±30 degree from horizontal  
355 Degree Rotation Capability  
Ships in one Carton  
Ships in one Carton

Technical Specifications

<b>UPC</b>	020193067284
<b>Wattage</b>	50W
<b>CRI</b>	N/A
<b>Lumen</b>	N/A
<b>Switch Type</b>	Track
<b>Bulb Base</b>	MR-16
<b>Number of Lights</b>	1
<b>Color</b>	White
<b>Base Color</b>	White

<b>Carton 1 Dimensions</b>	7.40 x 14.80 x 15.40
<b>Carton 2 Dimensions</b>	0.00 x 0.00 x 15.40
<b>Package Dimensions</b>	L: 15.40 W: 14.80 H: 7.40