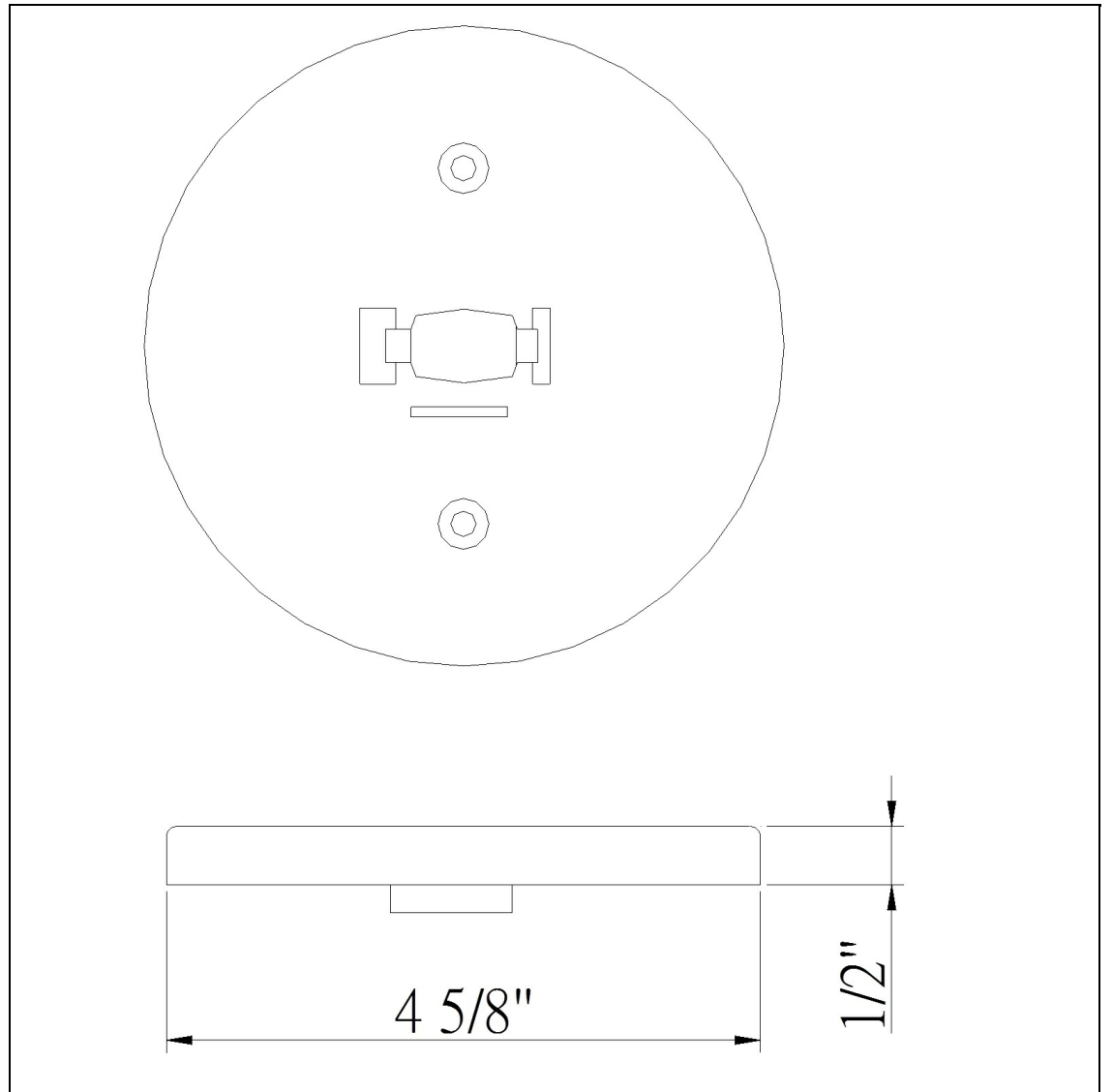


Product No. **HT-301-BK**



Description

Round Line Voltage Monopoint  
Durable Plastic Construction  
Ships in One Carton  
No Assembly Required  
Compatible with "H" Type Three Wire Single  
Circuit Track  
Compatible with "H" Type Three Wire Single  
Circuit Track  
0.5" Height Monopoint in Black

Technical Specifications

<b>UPC</b>	020193067284	<b>Carton 1 Dimensions</b>	7.00 x 16.00 x 30.50
<b>Wattage</b>	N/A	<b>Carton 2 Dimensions</b>	0.00 x 0.00 x 30.50
<b>CRI</b>	N/A	<b>Package Dimensions</b>	L: 30.50 W: 16.00 H: 7.00
<b>Lumen</b>	N/A		
<b>Switch Type</b>	Track		
<b>Bulb Base</b>	N/A		
<b>Number of Lights</b>	N/A		
<b>Color</b>	Black		
<b>Base Color</b>	Black		