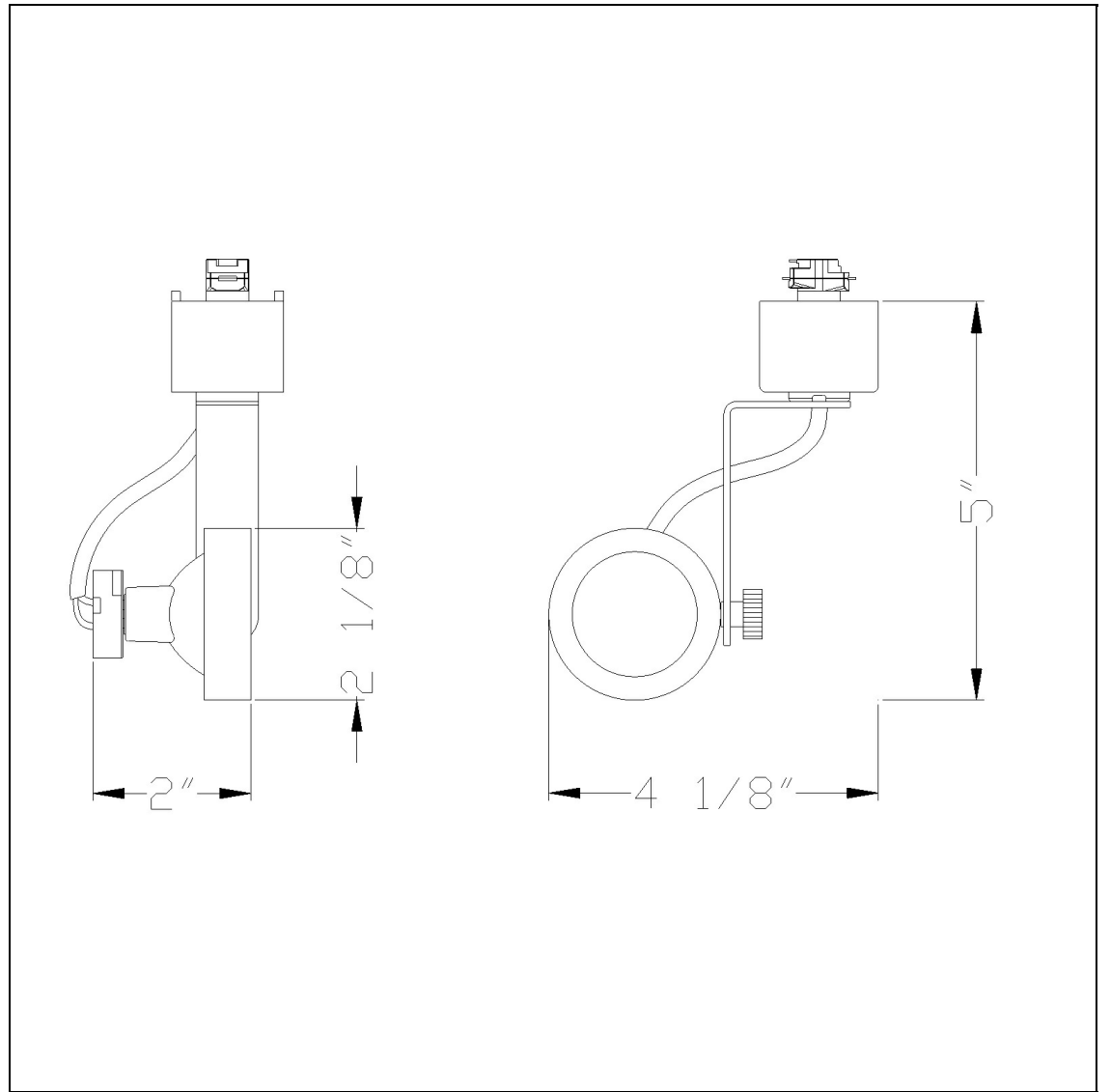


Product No. **HT-909-BK**



Description

Gimble Ring,120V,50W,Mr16, G8 Socke  
Durable Metal Construction  
50W max  
+90 degree from horizontal  
355 Degree Rotation Capability  
Ships in one Carton  
Ships in one Carton

Technical Specifications

<b>UPC</b>	020193067284
<b>Wattage</b>	50W
<b>CRI</b>	N/A
<b>Lumen</b>	N/A
<b>Switch Type</b>	Track
<b>Bulb Base</b>	G8 Bi-Pin
<b>Number of Lights</b>	1
<b>Color</b>	Black
<b>Base Color</b>	Black

<b>Carton 1 Dimensions</b>	13.60 x 9.80 x 12.80
<b>Carton 2 Dimensions</b>	0.00 x 0.00 x 12.80
<b>Package Dimensions</b>	L: 12.80 W: 9.80 H: 13.60