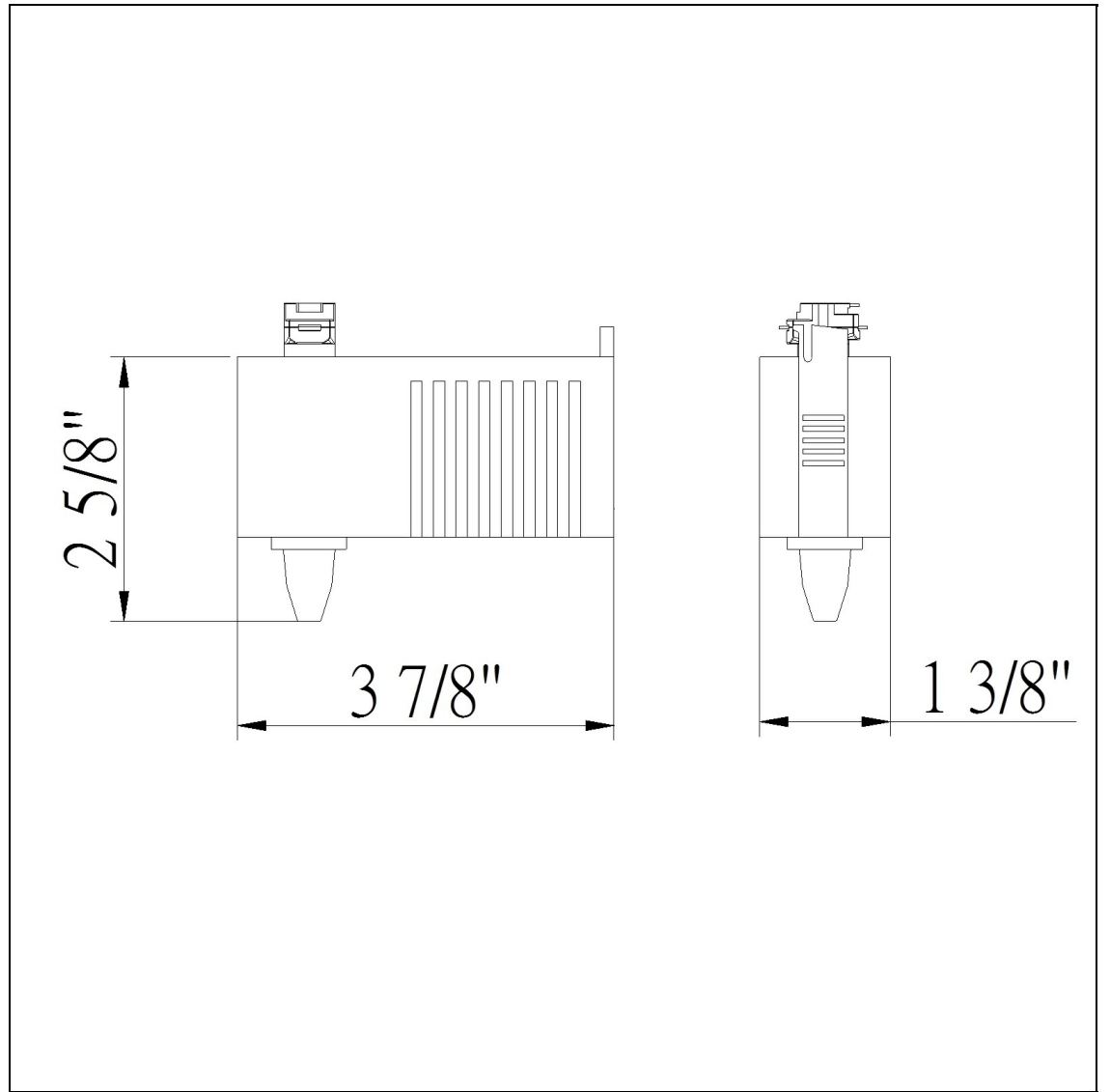
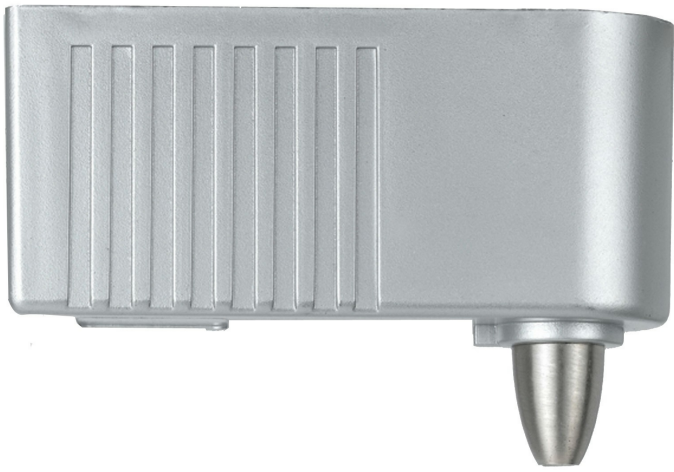


Product No. **HT-940-BS**



Description

Low Voltage Pendant Ht Track Adopter, 12V, 50W Max.
Durable Plastic Construction
Ships in One Carton
No Assembly Required
Compatible with "H" Type Three Wire Single Circuit Track
Horizontal Adaptor
Horizontal Adaptor
2.5" Height Track Adapter in Brushed Steel

Technical Specifications

UPC	020193067284
Wattage	50W
CRI	N/A
Lumen	N/A
Switch Type	Track
Bulb Base	N/A
Number of Lights	1
Color	Brushed Steel
Base Color	Brushed Steel

Carton 1 Dimensions	7.00 x 7.10 x 13.40
Carton 2 Dimensions	0.00 x 0.00 x 13.40
Package Dimensions	L: 13.40 W: 7.10 H: 7.00