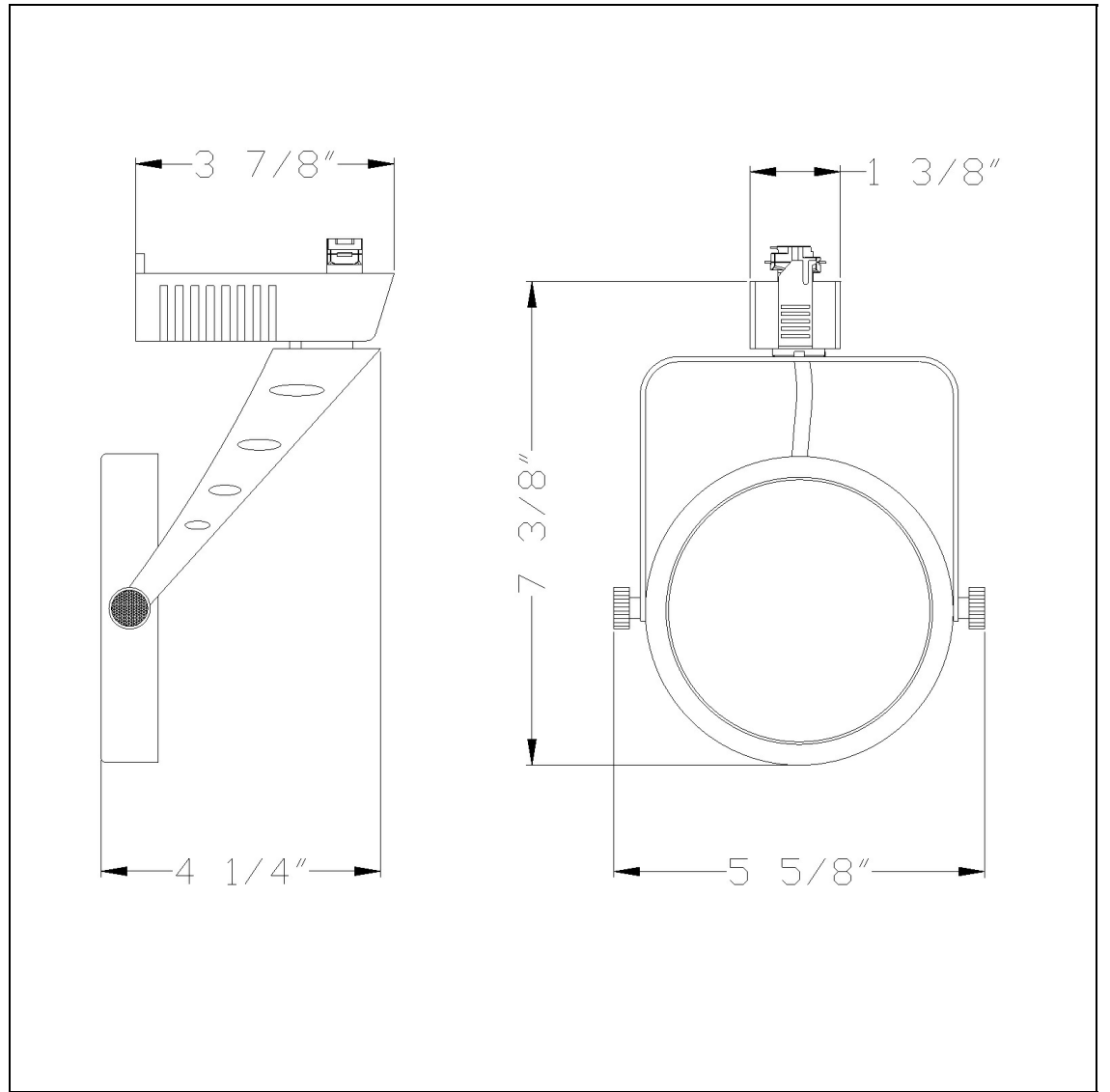


Product No. **HT-943-BS**



Description

Ar-111, 12V, 50W Elliptical Fixture
Durable Metal Construction
50W max
?30 degree from horizontal
355 Degree Rotation Capability
Ships in one Carton
Ships in one Carton

Technical Specifications

UPC	020193067284
Wattage	50W
CRI	N/A
Lumen	N/A
Switch Type	Track
Bulb Base	Metal
Number of Lights	1
Color	Brushed Steel
Base Color	Brushed Steel

Carton 1 Dimensions	12.50 x 13.00 x 15.00
Carton 2 Dimensions	0.00 x 0.00 x 15.00
Package Dimensions	L: 15.00 W: 13.00 H: 12.50