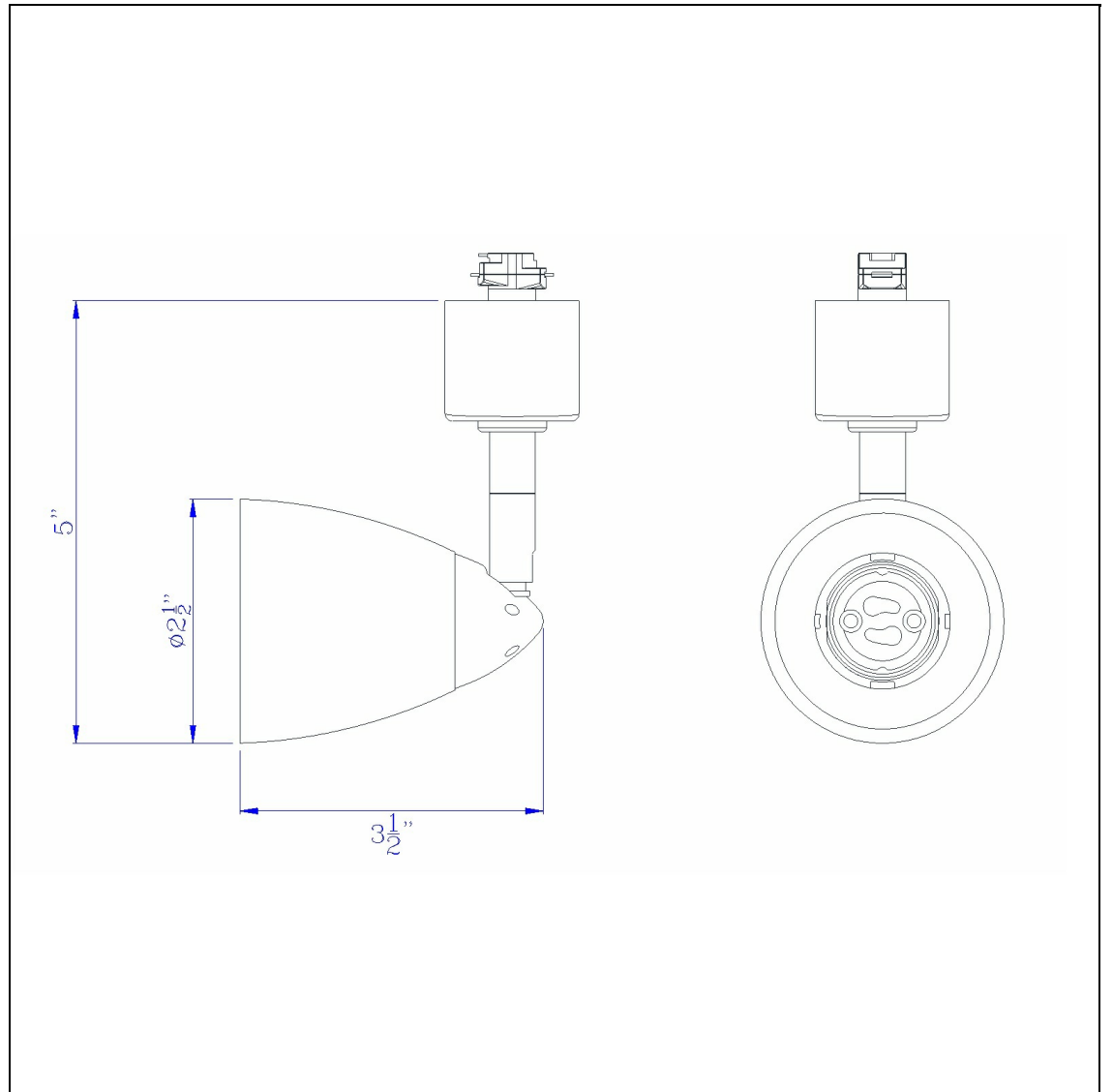


Product No. **HT-954-WH-REDS**



Description

GU10,50W,120V
Durable Metal Construction
Ships in One Carton
Compatible with HT Three Wire, Once Circuit Track
Shade is Removable and Interchangeable
Hand Blown Glass Shade
Hand Blown Glass Shade
4.87" Tall Serpentine Track head with Shade

Technical Specifications

UPC	020193067284
Wattage	50W
CRI	N/A
Lumen	N/A
Switch Type	Track
Bulb Base	GU-10
Number of Lights	1
Color	White
Base Color	White

Carton 1 Dimensions	0.00 x 12.00 x 12.00
Carton 2 Dimensions	0.00 x 0.00 x 12.00
Package Dimensions	L: 12.00 W: 12.00