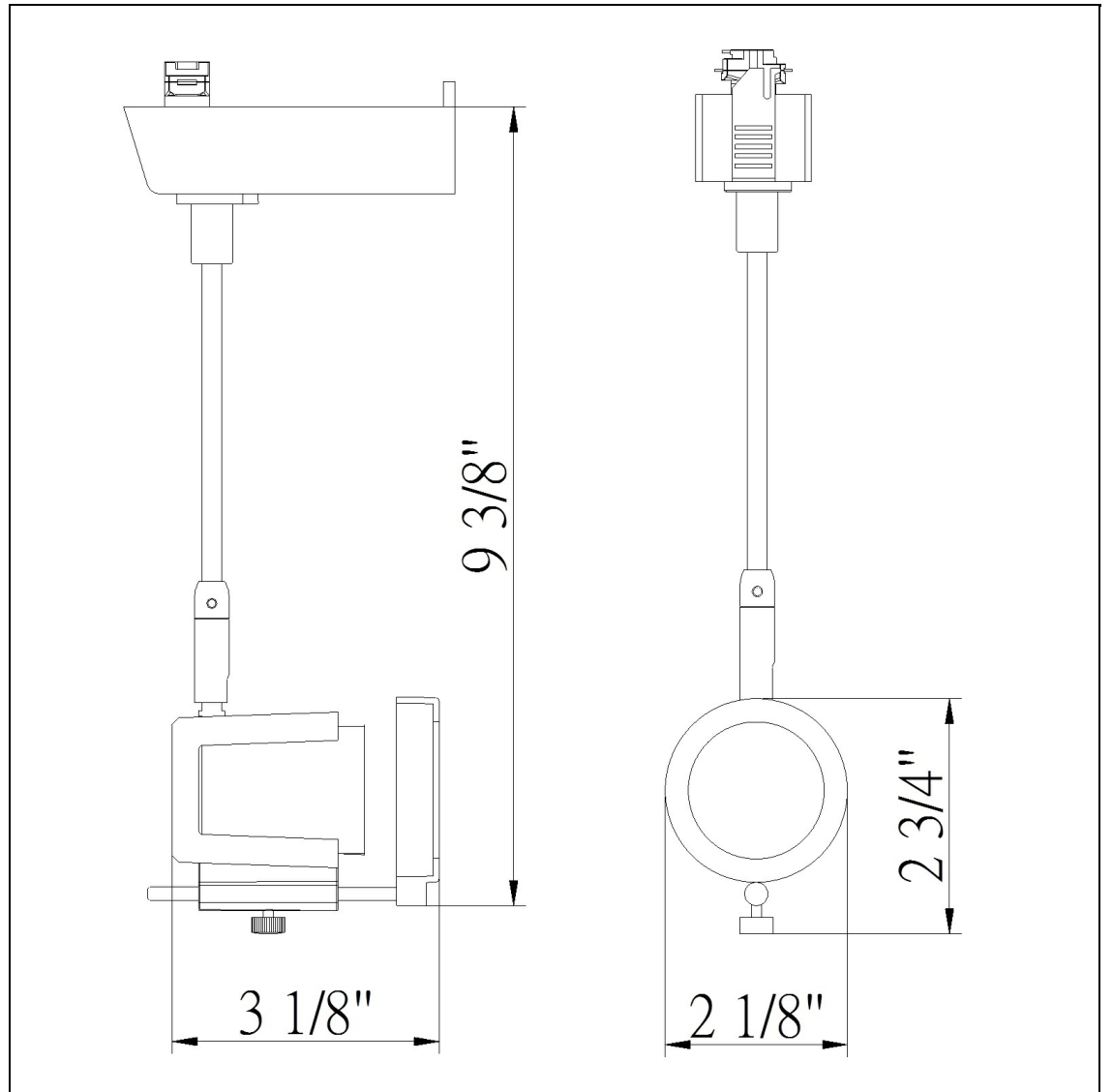


Product No. **HT-967-BK**



Description

12V,50W,MR-16, TRACK HEAD,6in STEM
Durable Metal Construction
12V, 50W max
? 90 degree from horizontal
355 Degree Rotation Capability
Ships in one Carton
Ships in one Carton

Technical Specifications

UPC	020193067284
Wattage	50W
Switch Type	Track
Bulb Base	MR-16
Number of Lights	1
Color	Black
Base Color	1

Carton 1 Dimensions	11.30 x 9.40 x 15.00
Carton 2 Dimensions	0.00 x 0.00 x 15.00
Package Dimensions	L: 15.00 W: 9.40 H: 11.30