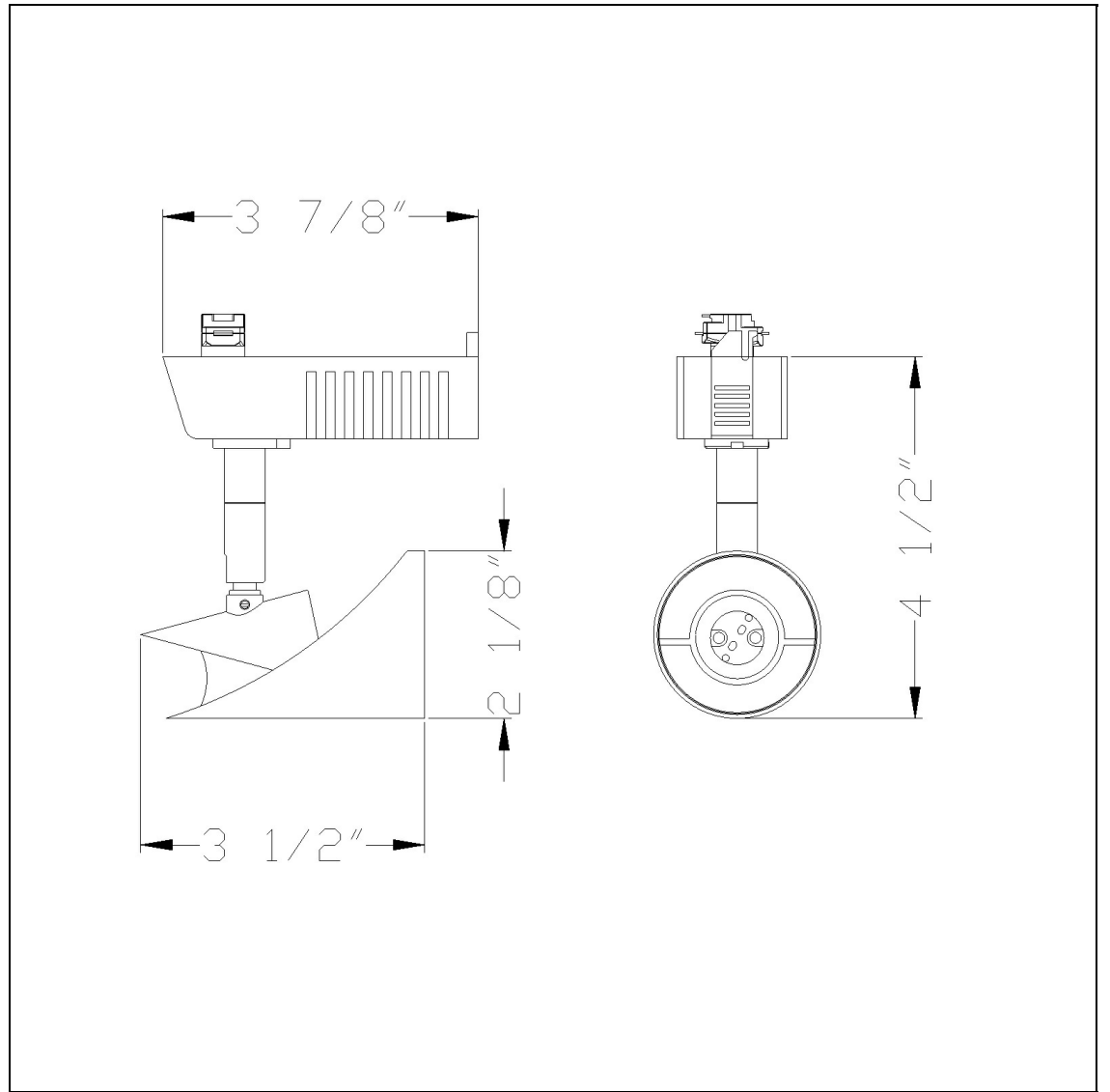


Product No. **HT-971-WH**



Description

MR-16,12V,50W Track Head
Durable Metal Construction
12V, 50W max
+90 degree from horizontal
355 Degree Rotation Capability
Ships in one Carton
Ships in one Carton

Technical Specifications

UPC	020193067284
Wattage	50W
CRI	N/A
Lumen	N/A
Switch Type	Track
Bulb Base	MR-16
Number of Lights	1
Color	White
Base Color	White

Carton 1 Dimensions	7.00 x 14.00 x 20.00
Carton 2 Dimensions	0.00 x 0.00 x 20.00
Package Dimensions	L: 20.00 W: 14.00 H: 7.00