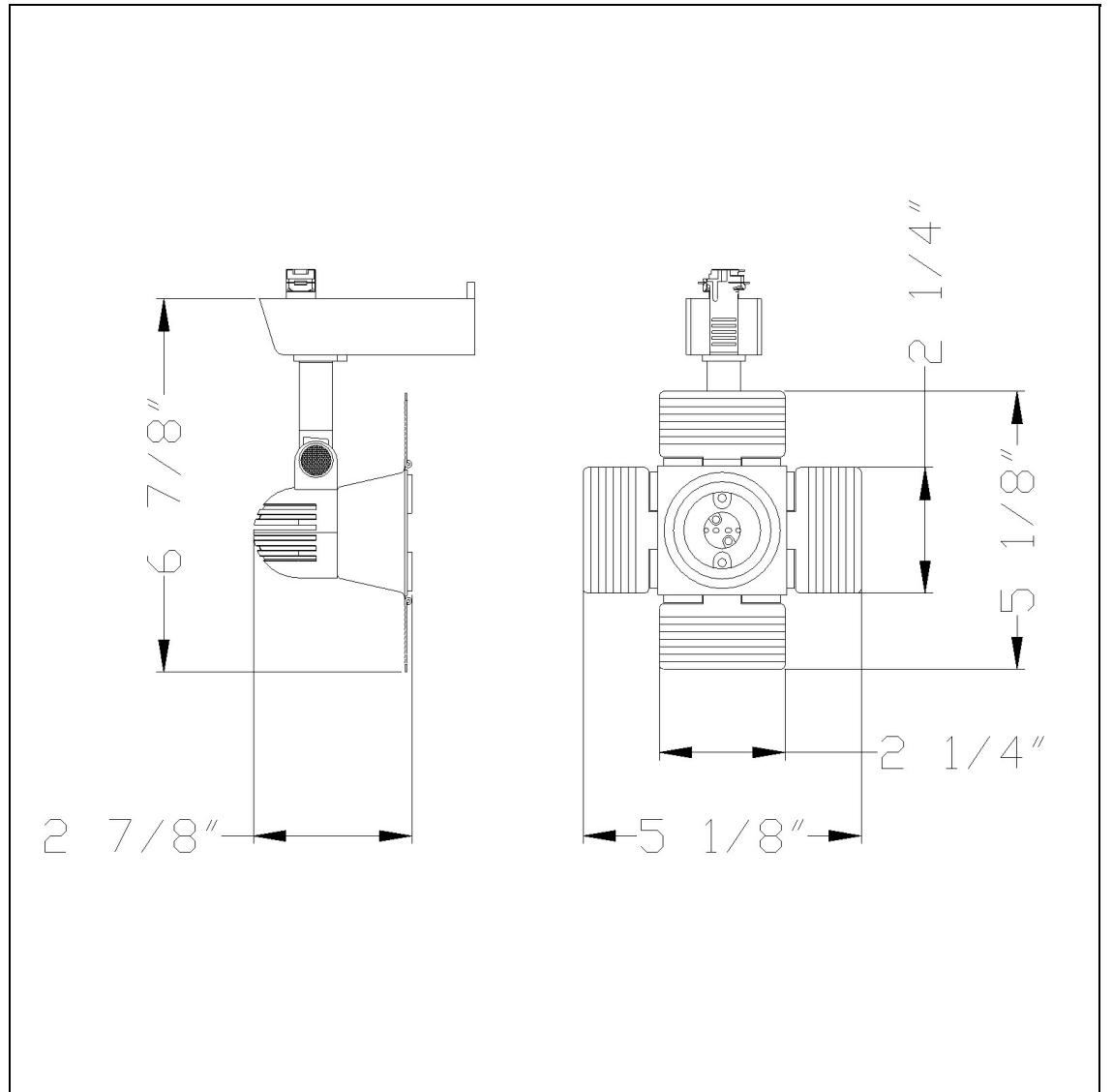


Product No. **HT-972-RU**



Description

12V,Mr-16,50W Max.Track Head
Durable Metal Construction
+90 degree from horizontal
50 WATT MAX
355 Degree Rotation Capability
Ships in one Carton
Ships in one Carton

Technical Specifications

UPC	020193067284
Wattage	50W
Switch Type	Track
Bulb Base	MR-16
Number of Lights	1
Color	Rust
Base Color	1

Carton 1 Dimensions	7.50 x 15.40 x 15.90
Carton 2 Dimensions	0.00 x 0.00 x 15.90
Package Dimensions	L: 15.90 W: 15.40 H: 7.50