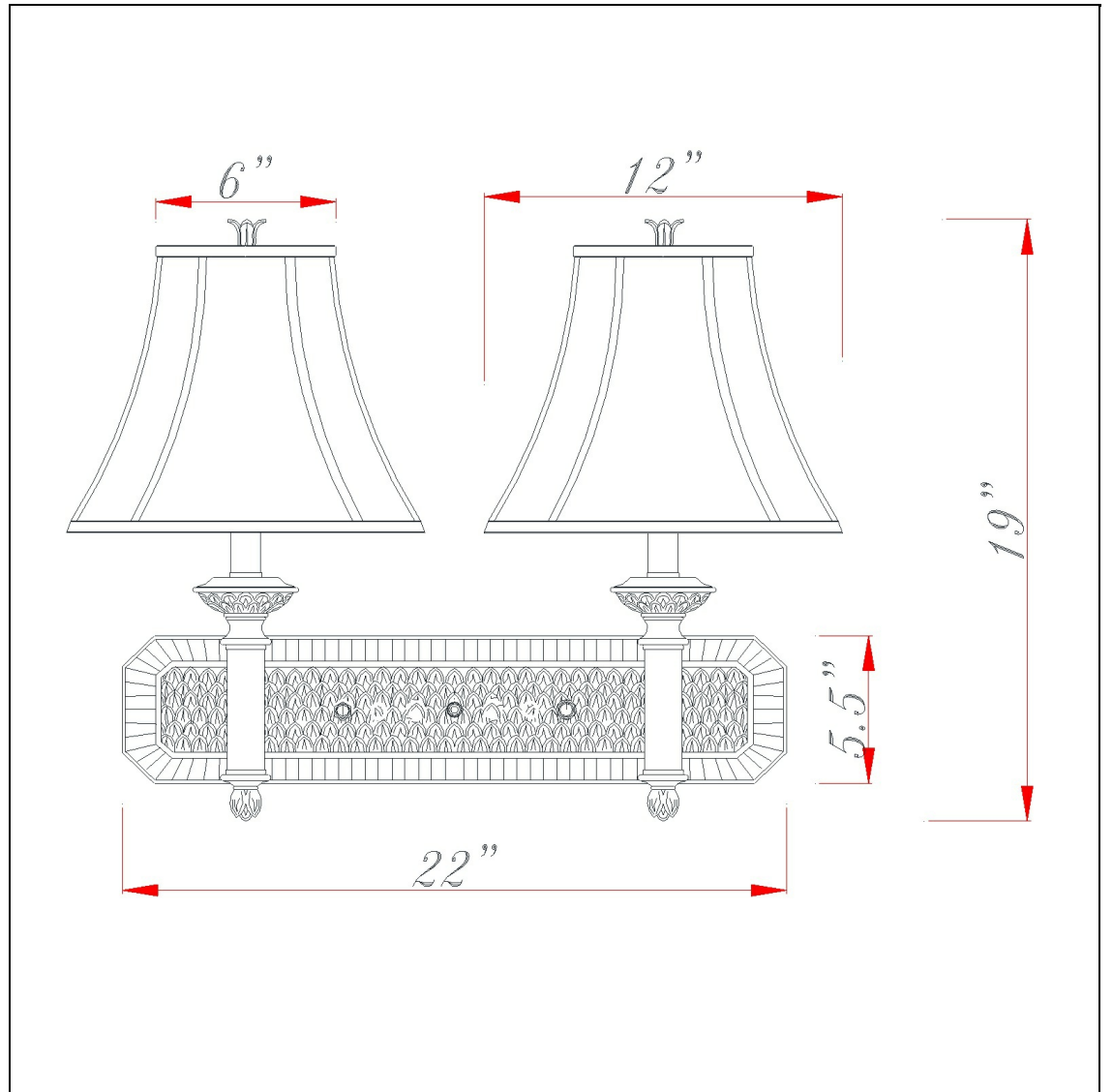


Product No. **LA-60001W2L-1**



Description

60W X 2 Pineapple Hotel Wall Lamp
Durable Metal Construction
Little to no Assembly Required
Push Button on Base Plate for Easy Access
Fabric Shade Included
UL listed
UL listed
19" Height Metal Wall Lamp in Antique Gold

Technical Specifications

| | | | |
|-------------------------|-------------------|----------------------------|----------------------------|
| UPC | 020193067284 | Carton 1 Dimensions | 11.00 x 15.00 x 11.00 |
| Wattage | 60WX2 | Carton 2 Dimensions | 10.00 x 0.00 x 11.00 |
| CRI | N/A | Carton 3 Dimensions | 13.00 x 4.00 x 13.00 |
| Lumen | N/A | Package Dimensions | L: 11.00 W: 15.00 H: 11.00 |
| Switch Type | 3 Way Push Button | | |
| Bulb Base | E26 | | |
| Number of Lights | 2 | | |
| Color | Antique Gold | | |
| Base Color | Antique Gold | | |