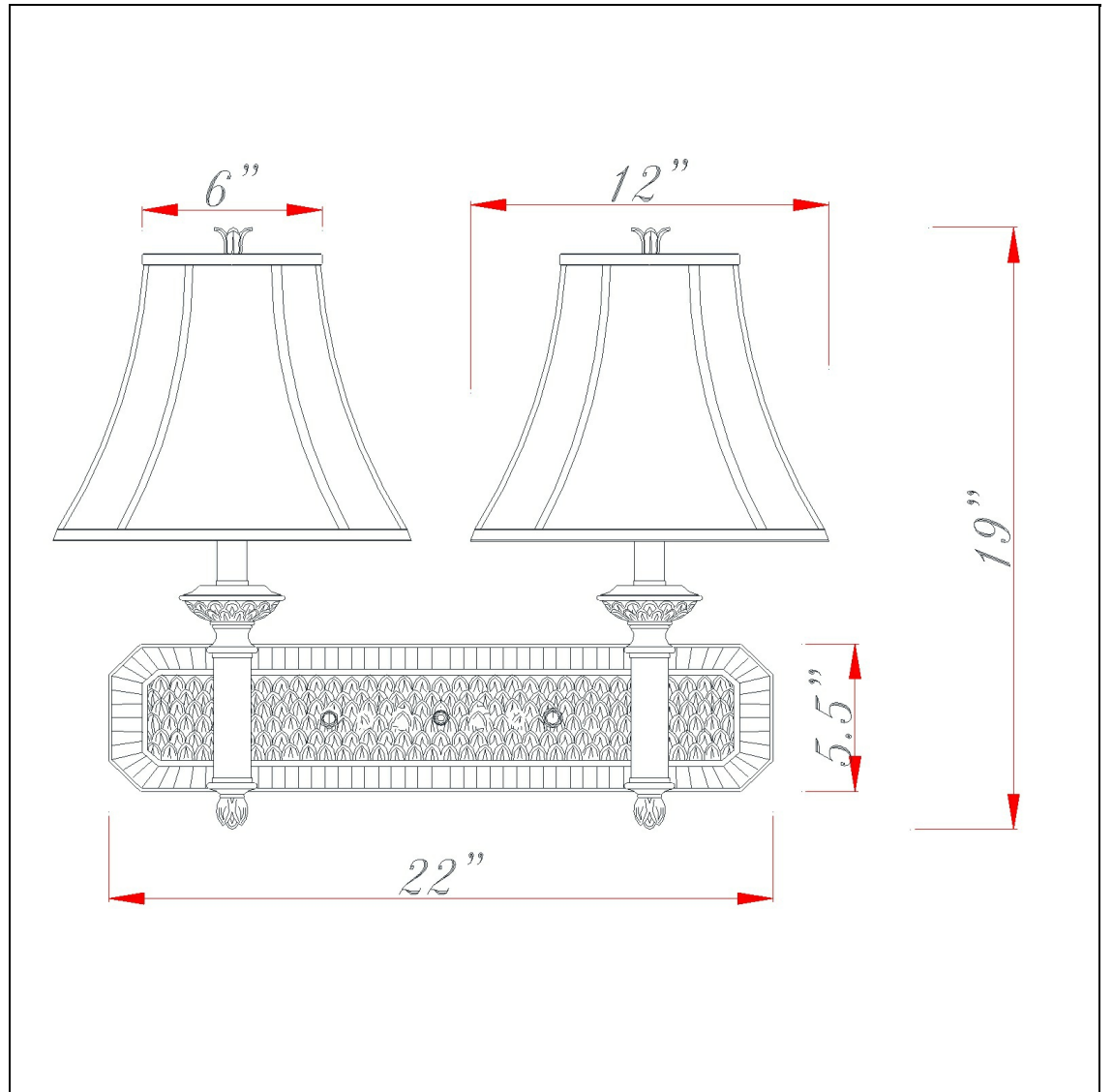


Product No. **LA-60001W2L-2**



Description

60W X 2 Pineapple Hotel Wall Lamp
Durable Metal Construction
Little to no Assembly Required
Push Button on Base Plate for Easy Access
Fabric Shade Included
UL listed
UL listed
19" Height Metal Wall Lamp in Antique Silver

Technical Specifications

UPC	020193067284	Carton 1 Dimensions	11.00 x 15.00 x 11.00
Wattage	60WX2	Carton 2 Dimensions	10.00 x 0.00 x 11.00
CRI	N/A	Carton 3 Dimensions	13.00 x 4.00 x 13.00
Lumen	N/A	Package Dimensions	L: 11.00 W: 15.00 H: 11.00
Switch Type	3 Way Push Button		
Bulb Base	E26		
Number of Lights	2		
Color	Antique Gold		
Base Color	Antique Gold		