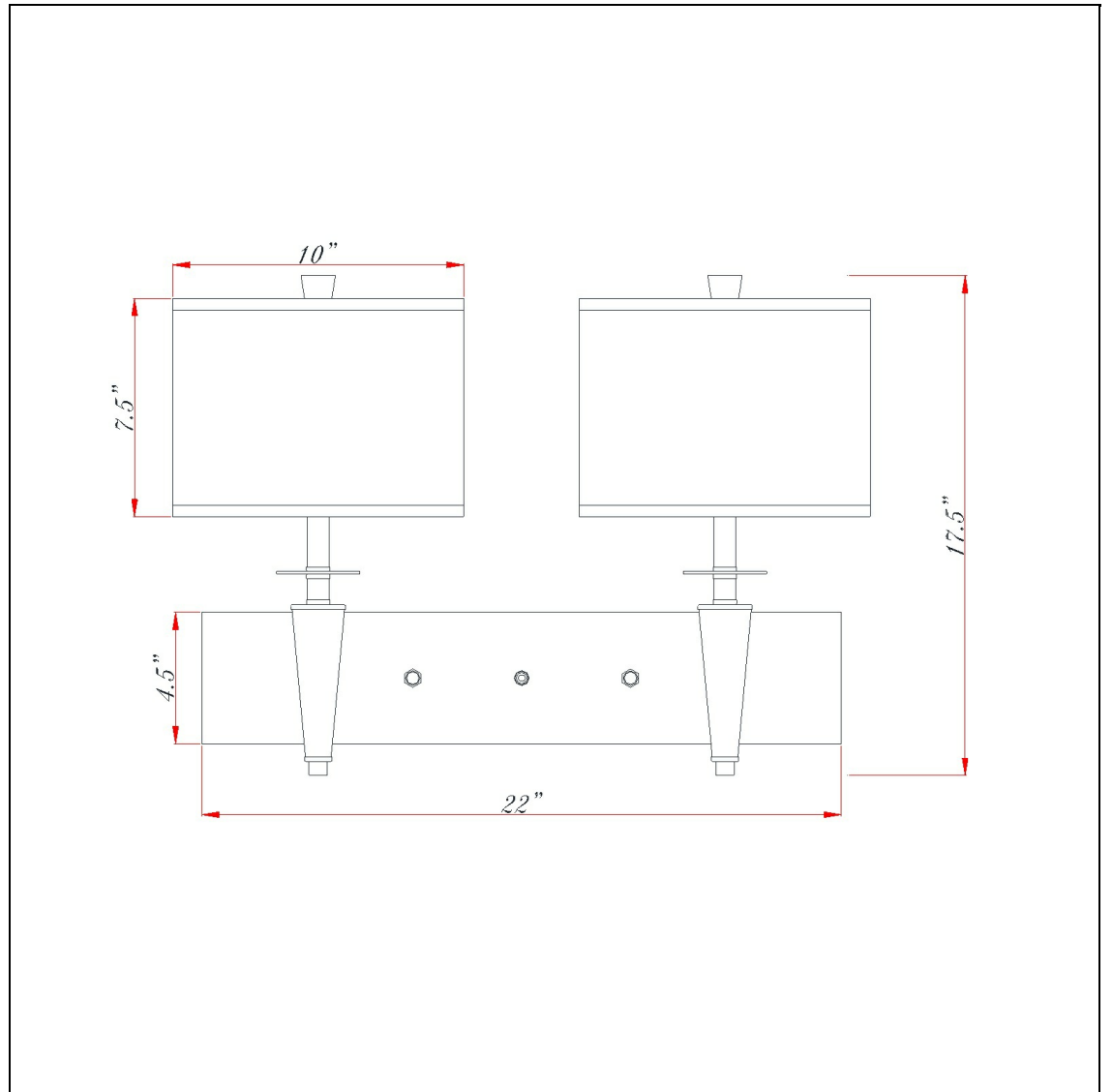


Product No. **LA-8002W2L-1BS**



Description

60Wx2 WI Lp W/3W Push/Swch  
Durable Metal Construction  
Little to no Assembly Required  
Push Button Switch on Base Plate for Easy Access  
Fabric Shade Included  
UL listed  
UL listed  
17.5" Height Metal Wall Lamp in Brushed Steel and Black

Technical Specifications

<b>UPC</b>	020193067284	<b>Carton 1 Dimensions</b>	9.50 x 13.50 x 9.50
<b>Wattage</b>	60WX2	<b>Carton 2 Dimensions</b>	8.00 x 0.00 x 9.50
<b>CRI</b>	N/A	<b>Carton 3 Dimensions</b>	11.00 x 4.00 x 11.00
<b>Lumen</b>	N/A	<b>Package Dimensions</b>	L: 9.50 W: 13.50 H: 9.50
<b>Switch Type</b>	3 Way Push Button		
<b>Bulb Base</b>	E26		
<b>Number of Lights</b>	2		
<b>Color</b>	Brushed Steel		
<b>Base Color</b>	Brushed Steel		