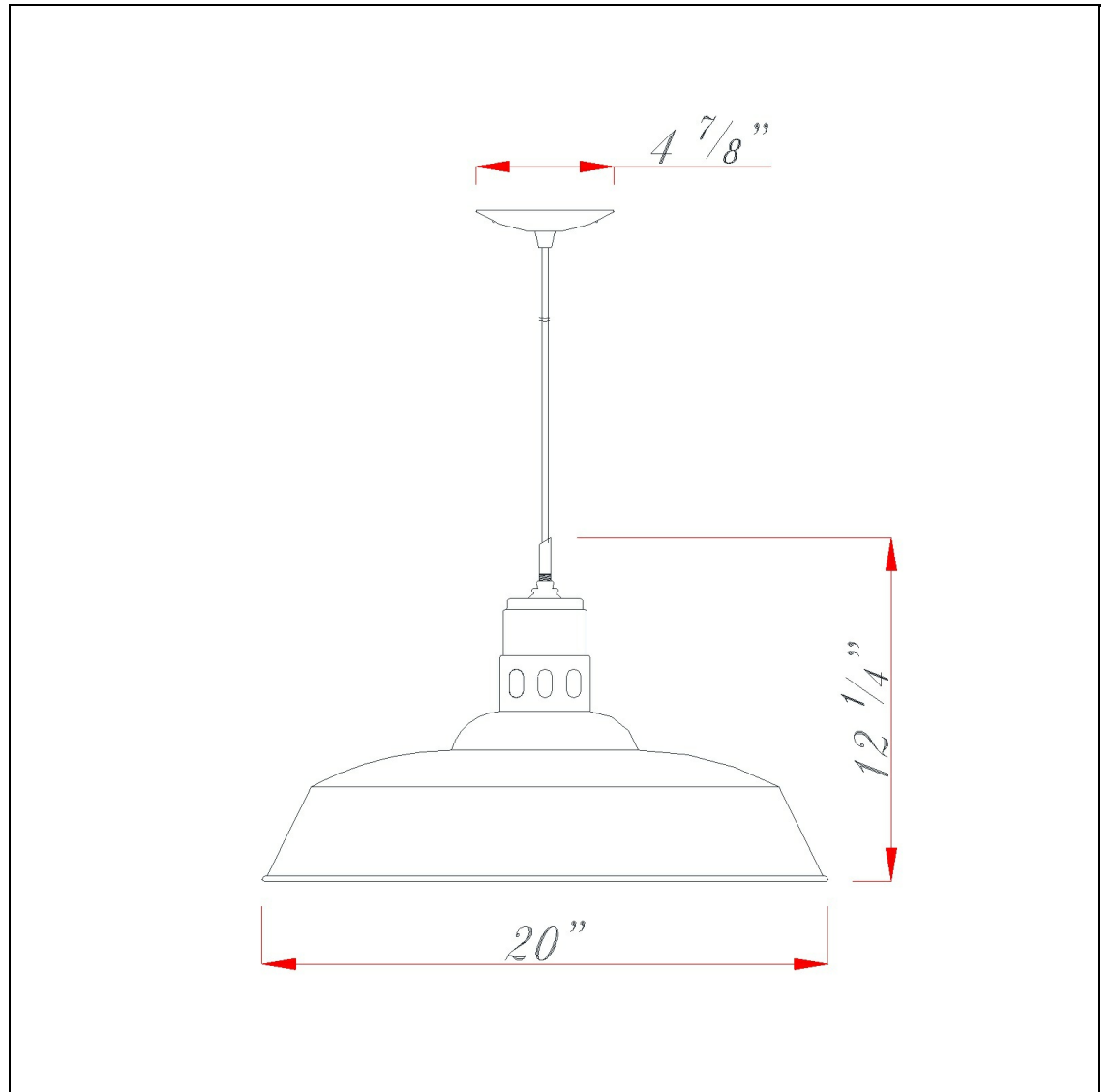


Product No. **UP-1112-6-BS**



Description

150W Danberry Metal Pendant  
Durable Metal Construction  
Ships in One Carton  
Canopy Included  
72" Inch Cord Length  
72" Inch Cord Length  
10.38" Tall Metal Pendant in Rust

Technical Specifications

<b>UPC</b>	020193067284
<b>Wattage</b>	150W
<b>Switch Type</b>	Hardwired
<b>Bulb Base</b>	E26
<b>Number of Lights</b>	1
<b>Color</b>	Brushed Steel
<b>Base Color</b>	1

<b>Carton 1 Dimensions</b>	14.30 x 21.90 x 21.90
<b>Carton 2 Dimensions</b>	0.00 x 0.00 x 21.90
<b>Package Dimensions</b>	L: 21.90 W: 21.90 H: 14.30