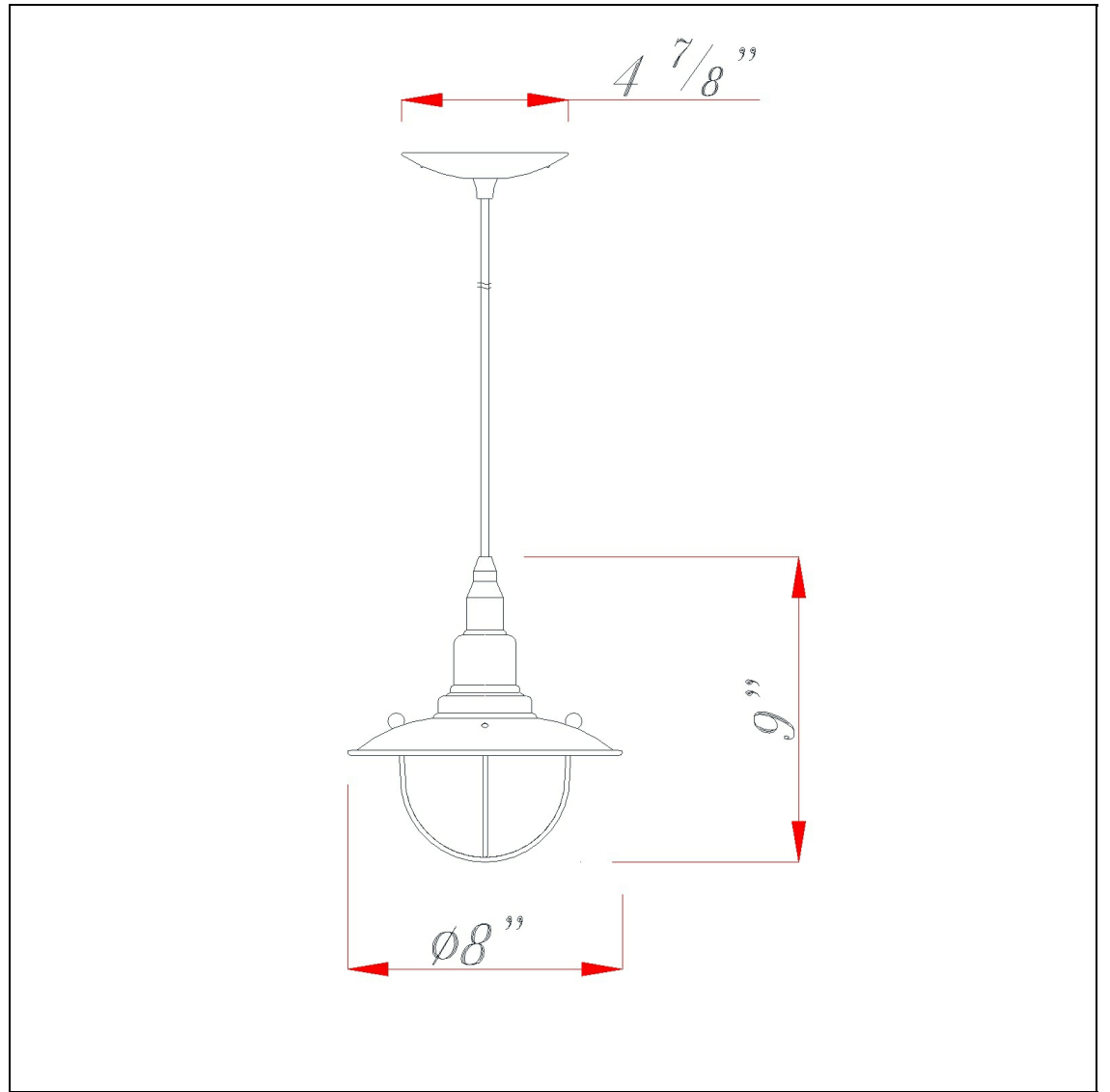


Product No. **UP-1113-6-DB**



Description

60W Allentown Metal Pendant
Durable Metal Construction
Ships in One Carton
Canopy Included
72" Inch Cord Length
72" Inch Cord Length
8.88" Tall Metal Pendant in Brushed Steel

Technical Specifications

UPC	020193067284	Carton 1 Dimensions	7.50 x 18.00 x 26.80
Wattage	60W	Carton 2 Dimensions	0.00 x 0.00 x 26.80
CRI	N/A	Package Dimensions	L: 26.80 W: 18.00 H: 7.50
Lumen	N/A		
Switch Type	Hardwired		
Bulb Base	E26		
Number of Lights	1		
Color	Dark Bronze		
Base Color	Dark Bronze		