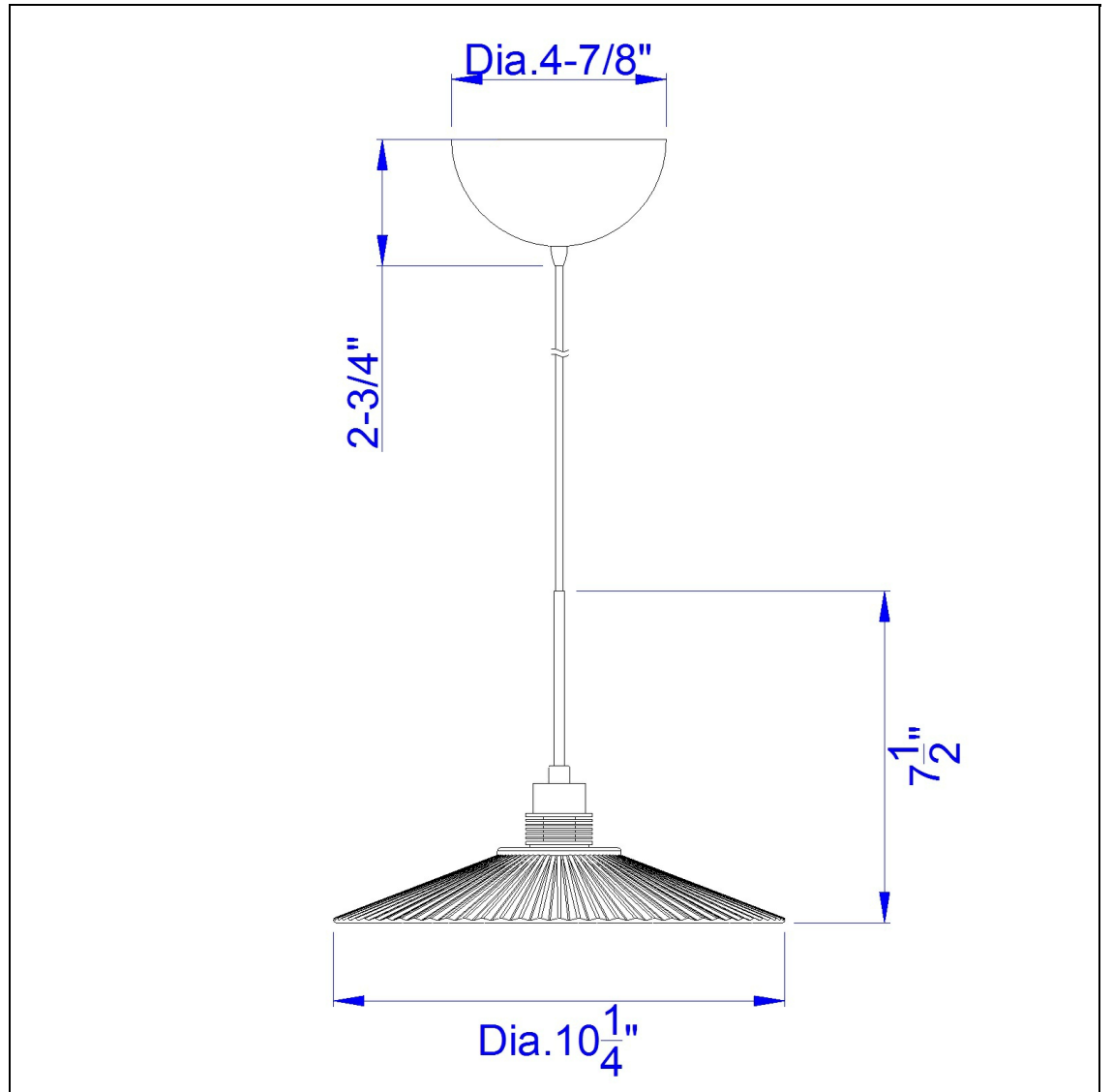


Product No. **UPL-715-CLR**



Description

Dimmable LED 9W, 3500K, Pendant
Durable Metal and Glass Construction
Ships in One Carton
Canopy Included
3000K Color Temperature
Light Bulb Included
Dimmable with Lutron dimmers #: DVCL-153P, SCL-153P, AYCL-153P, CTCL-153P, DVCL-253P, DVSCLL-253P,
Dimmable with Lutron dimmers #: DVCL-153P, SCL-153P, AYCL-153P, CTCL-153P, DVCL-253P, DVSCLL-253P,
10.2" Tall Glass and Metal LED Pendant with Brushed Steel Cord

Technical Specifications

UPC	020193067284	Carton 1 Dimensions	0.00 x 19.00 x 19.00
Wattage	LED 8W	Carton 2 Dimensions	0.00 x 0.00 x 19.00
CRI	85	Package Dimensions	L: 19.00 W: 19.00
Lumen	480		
Switch Type	Hardwired		
Bulb Base	LED		
Number of Lights	1		
Color	Metal		
Base Color	Brushed Steel		