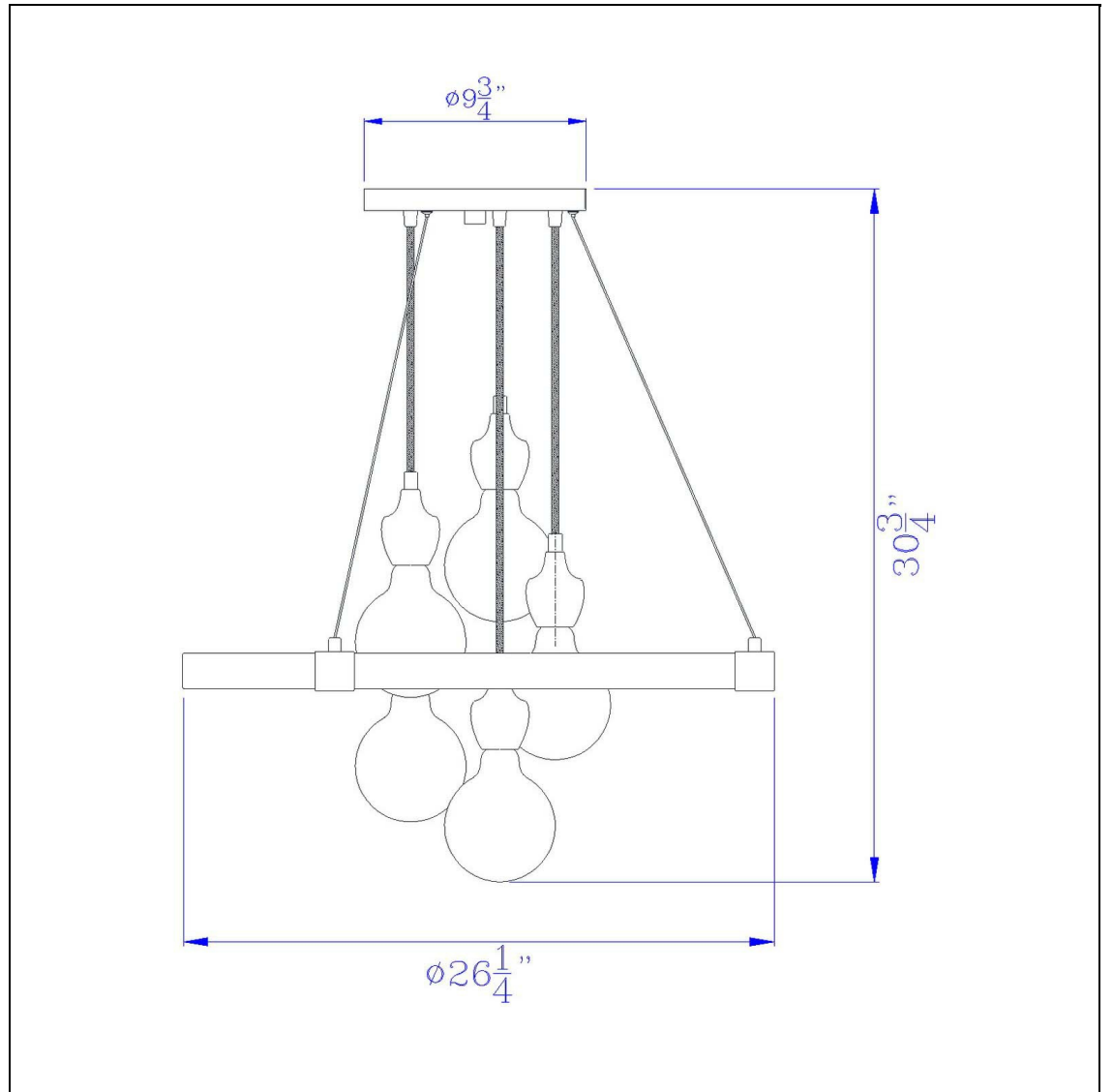


Product No. **FX-3687-5**



Description

60W X 5 Martos Metal/Wood Chandelier.
(Edison Bulbs included)
Durable Wooden Construction
Edison Bulbs Included
Medium Base E26 Socket
Ships in One Carton
Ships in One Carton
30.75" Metal and Wood Chandelier in
Wooden Finish

Technical Specifications

UPC	020193067284	Carton 1 Dimensions	11.00 x 29.30 x 29.00
Wattage	60WX5	Carton 2 Dimensions	0.00 x 0.00 x 29.00
CRI	N/A	Package Dimensions	L: 29.00 W: 29.30 H: 11.00
Lumen	N/A		
Switch Type	Hardwired		
Bulb Base	E26		
Number of Lights	5		
Color	Pine/Iron		
Base Color	Pine/Iron		