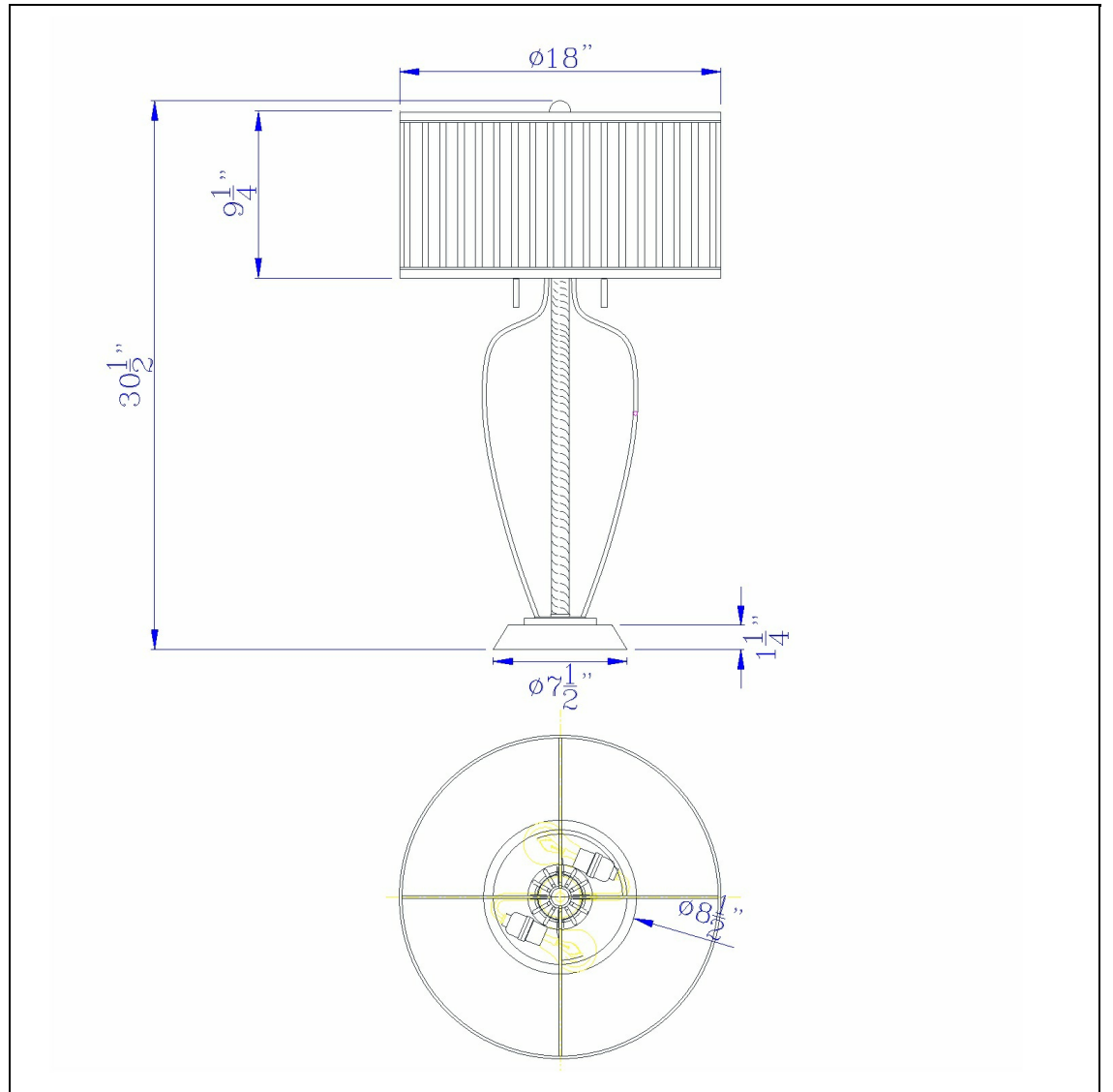


Product No. **BO-2859TB**



Description

Laval 60W X 2 Metal Table Lamp With Pleated Softback Fabric Shade And Pull Chain Switch  
Durable Metal Construction  
Pleated Fabric Drum Shade Included  
Urn Style Cage Design  
Pull Chain Switch  
Two Tone Finish  
Two Tone Finish  
30.5" Height Metal Table Lamp in Antique Brass and Black Finish

Technical Specifications

<b>UPC</b>	020193067284	<b>Shade Top1</b>	18.00
<b>Wattage</b>	60WX2	<b>Shade Bottom1</b>	18.00
<b>CRI</b>	N/A	<b>Shade Side</b>	9.25
<b>Lumen</b>	N/A	<b>Carton 1 Dimensions</b>	19.30 x 19.00 x 23.50
<b>Switch Type</b>	On/Off	<b>Carton 2 Dimensions</b>	0.00 x 0.00 x 23.50
<b>Bulb Base</b>	E26	<b>Package Dimensions</b>	L: 23.50 W: 19.00 H: 19.30
<b>Number of Lights</b>	2		
<b>Color</b>	Antique Brass/Black		
<b>Base Color</b>	Antique Brass/Black		