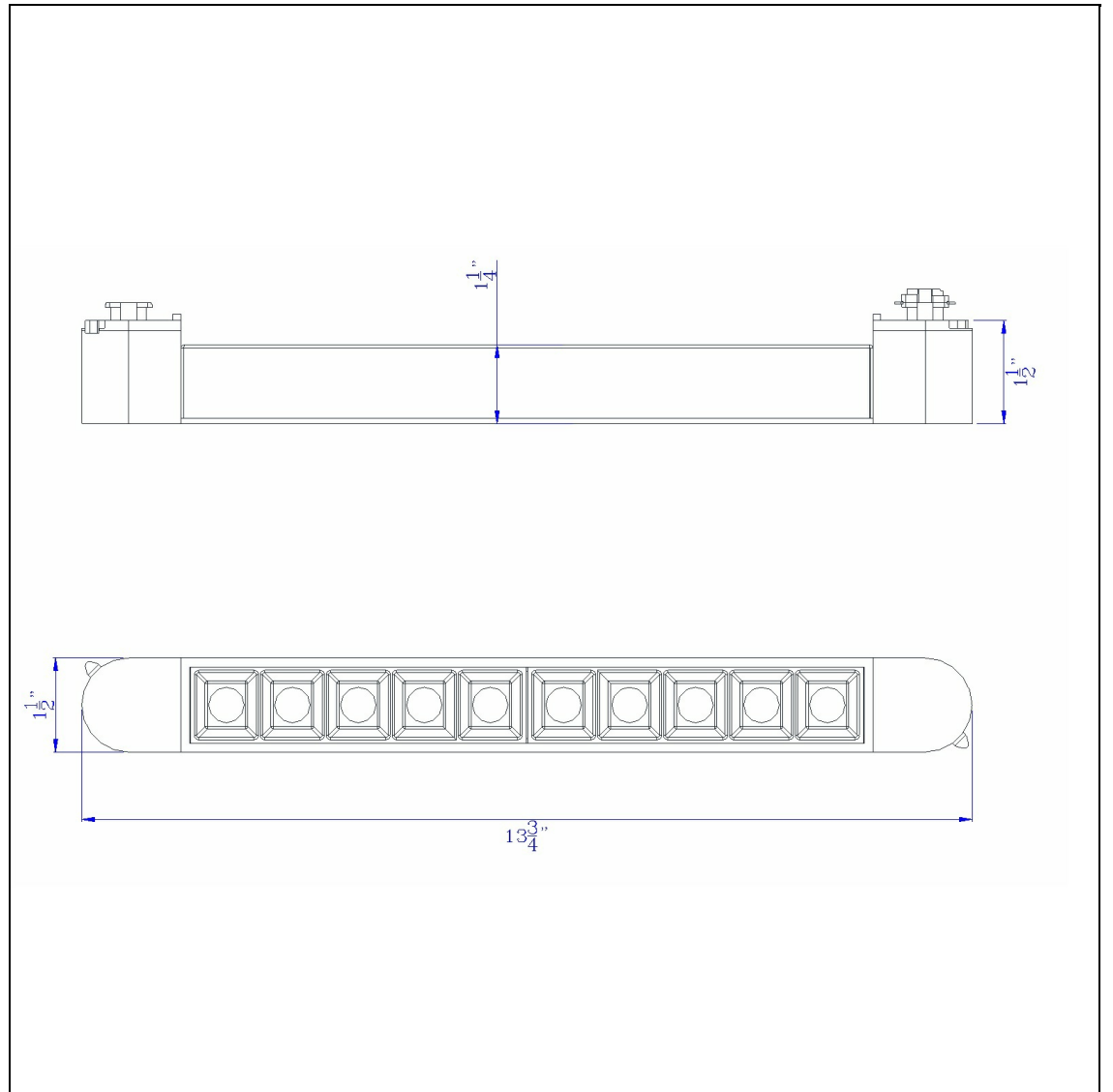


Product No. **HT-812S-WH**



Description

Dimmable integrated LED 60W, 3024 Lumen, 85 CRI, 3000K, 3 Wire Wall Wash Track Fixture
Intergrated LED
Linear design
Casted Aluminum Construction
Adjustable Angles
Wall washer
3000K Color Temperature
1040 Lumen Output
Dimmable with Lutron Brand Dimmers: DVCL-153P, SCL-153P,AYCL-153P,CTCL-153P,DVCL-253P,DVSCLL-253P,SE
13.75" Height Casted Aluminum Fixutre in White Finish

Technical Specifications

UPC	020193067284	Carton 1 Dimensions	7.80 x 7.50 x 7.80
Wattage	LED20W	Carton 2 Dimensions	0.00 x 0.00 x 7.80
CRI	85	Package Dimensions	L: 7.80 W: 7.50 H: 7.80
Lumen	1040		
Switch Type	Track		
Bulb Base	Intergrated LED		
Number of Lights	Intergrated LED		
Color	White		
Base Color	White		