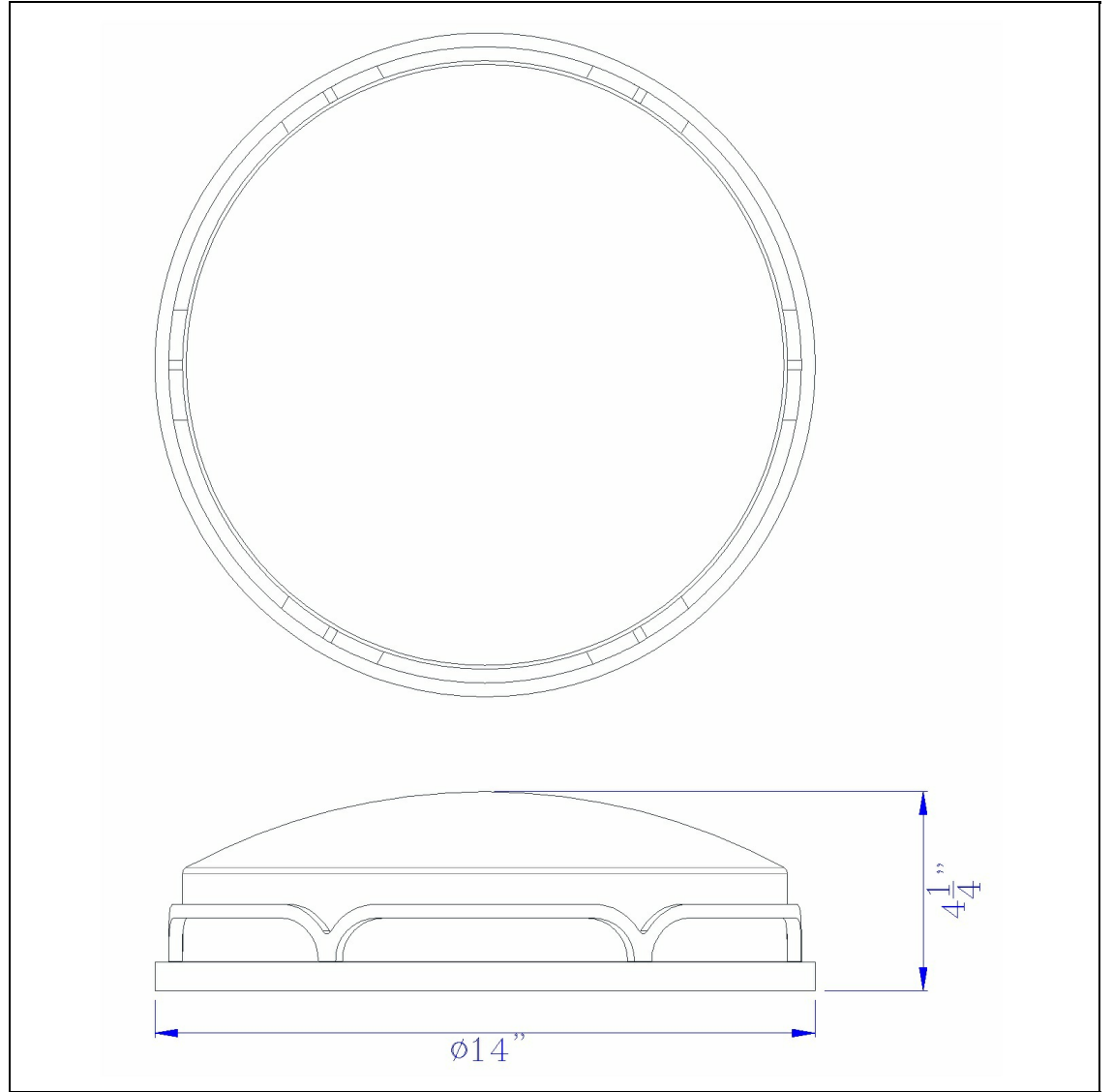


Product No. **LA-702**



Description

integrated LED 25W, 2000 Lumen, 80 CRI,  
Dimmable Ceiling Flush Mount With Acrylic  
Diffuser  
Intergrated LED  
Half Dome Shape  
Semi Flush Mount Design  
Metal Frame Construction  
1800 Lumen Output  
3000K Color Temperature  
3000K Color Temperature  
14" Height Acrylic and Metal Fixture in  
Painted Steel Finish

Technical Specifications

<b>UPC</b>	020193067284	<b>Carton 1 Dimensions</b>	13.00 x 16.50 x 33.00
<b>Wattage</b>	LED26W	<b>Carton 2 Dimensions</b>	0.00 x 0.00 x 33.00
<b>CRI</b>	80	<b>Package Dimensions</b>	L: 33.00 W: 16.50 H: 13.00
<b>Lumen</b>	1800		
<b>Switch Type</b>	Hardwired		
<b>Bulb Base</b>	Intergrated LED		
<b>Number of Lights</b>	Intergrated LED		
<b>Color</b>	Painted Steel		
<b>Base Color</b>	Painted Steel		