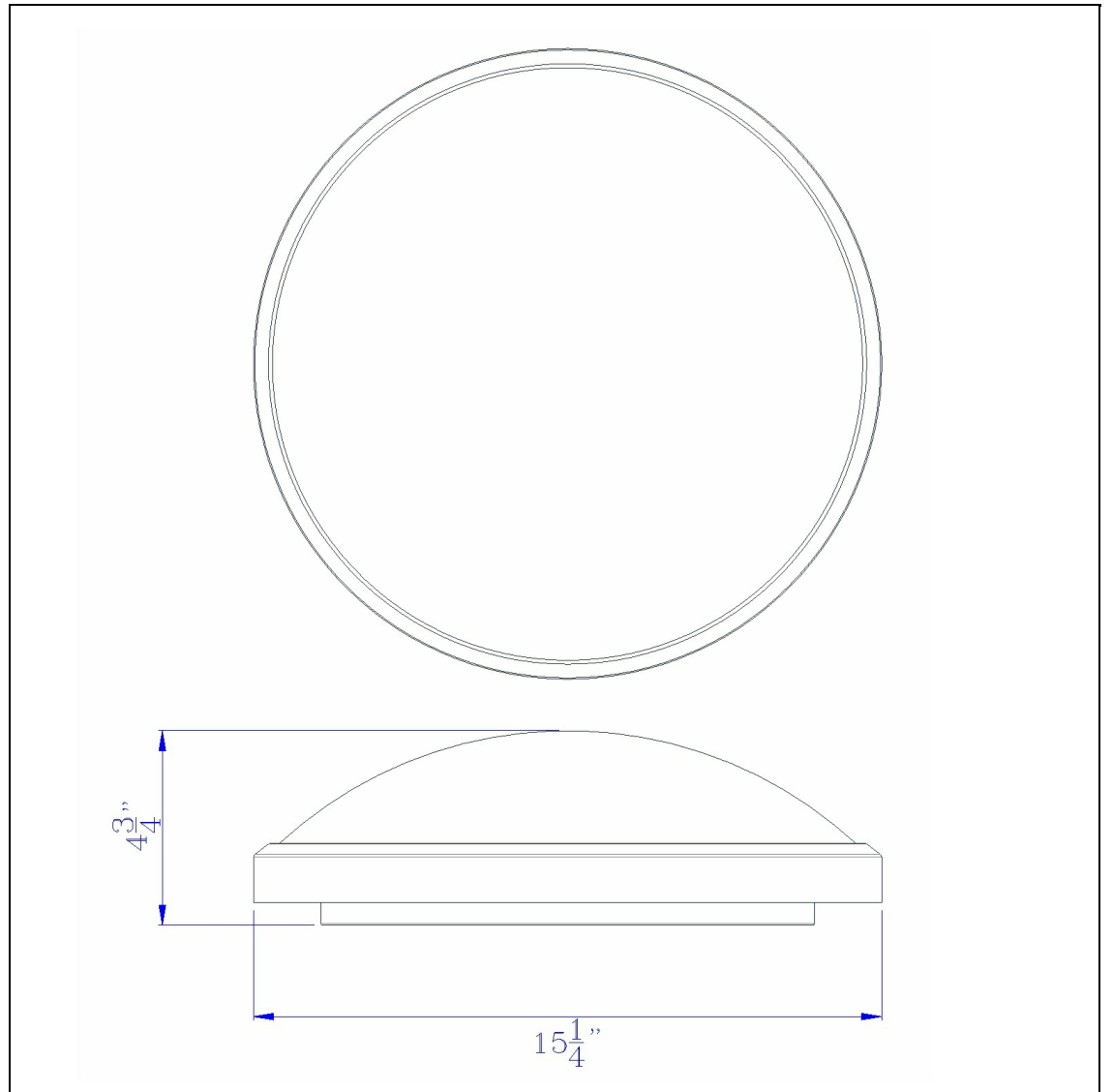


Product No. **LA-710**



Description

integrated LED 25W, 2000 Lumen, 80 CRI,
Dimmable Ceiling Flush Mount With Glass
Diffuser
Intergrated LED
Half Dome Shape
Semi Flush Mount Design
Metal Frame Construction
1800 Lumen Output
3000K Color Temperature
3000K Color Temperature
15.25" Height Glass and Metal Fixture

Technical Specifications

UPC	020193067284	Carton 1 Dimensions	16.80 x 18.50 x 18.50
Wattage	LED26W	Carton 2 Dimensions	0.00 x 0.00 x 18.50
CRI	80	Package Dimensions	L: 18.50 W: 18.50 H: 16.80
Lumen	1800		
Switch Type	Hardwired		
Bulb Base	Intergrated LED		
Number of Lights	Intergrated LED		
Color	Painted Steel		
Base Color	Painted Steel		