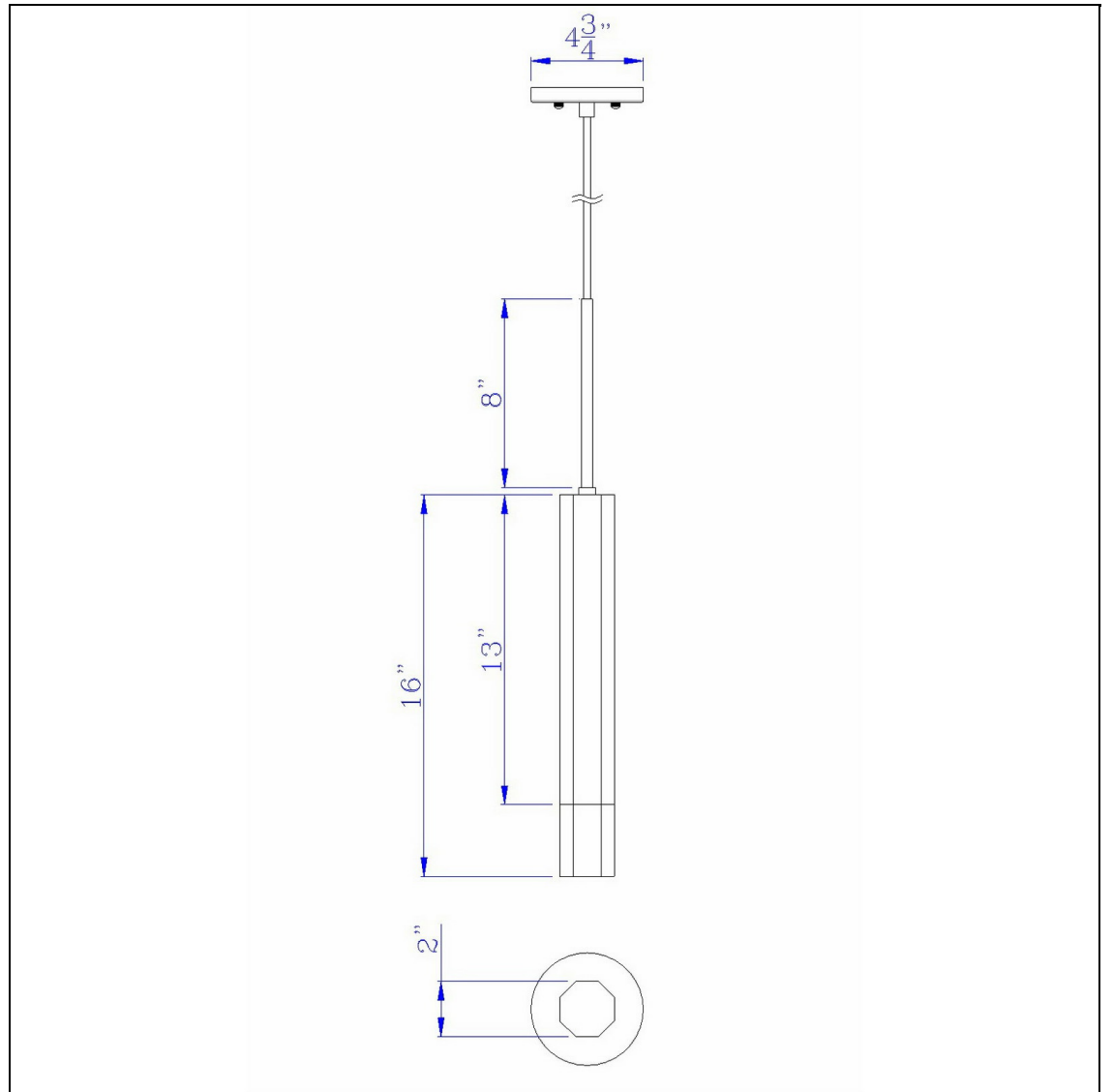


Product No. **FX-3723-1P-BS**



Description

Troy integrated LED Dimmable Hexagonal aluminum Casted 1 Light Pendant With Glass Diffuser
Durable Aluminum Cast Construction
Dimmable with Lutron Brand Dimmers: DVCL-153P, SCL-153P, AYCL-153P, CTCL-153P, DVCL-253P, DVSCLL-253P, SE
2800K Color Temperature
Ships in One Carton
4.75" Canopy Included
4.75" Canopy Included
Dimmable with Lutron dimmers #: DVCL-153P, SCL-153P, AYCL-153P, CTCL-153P, DVCL-253P, DVSCLL-253P,
24" Height Aluminum Cast Pendant in Brushed Steel Finish

Technical Specifications

UPC	020193067284	Carton 1 Dimensions	21.00 x 6.00 x 6.00
Wattage	7W	Carton 2 Dimensions	0.00 x 0.00 x 6.00
CRI	90	Package Dimensions	L: 6.00 W: 6.00 H: 21.00
Lumen	380		
Switch Type	Hardwired		
Bulb Base	Integrated Led		
Number of Lights	1		
Color	Brushed Steel		
Base Color	Brushed Steel		