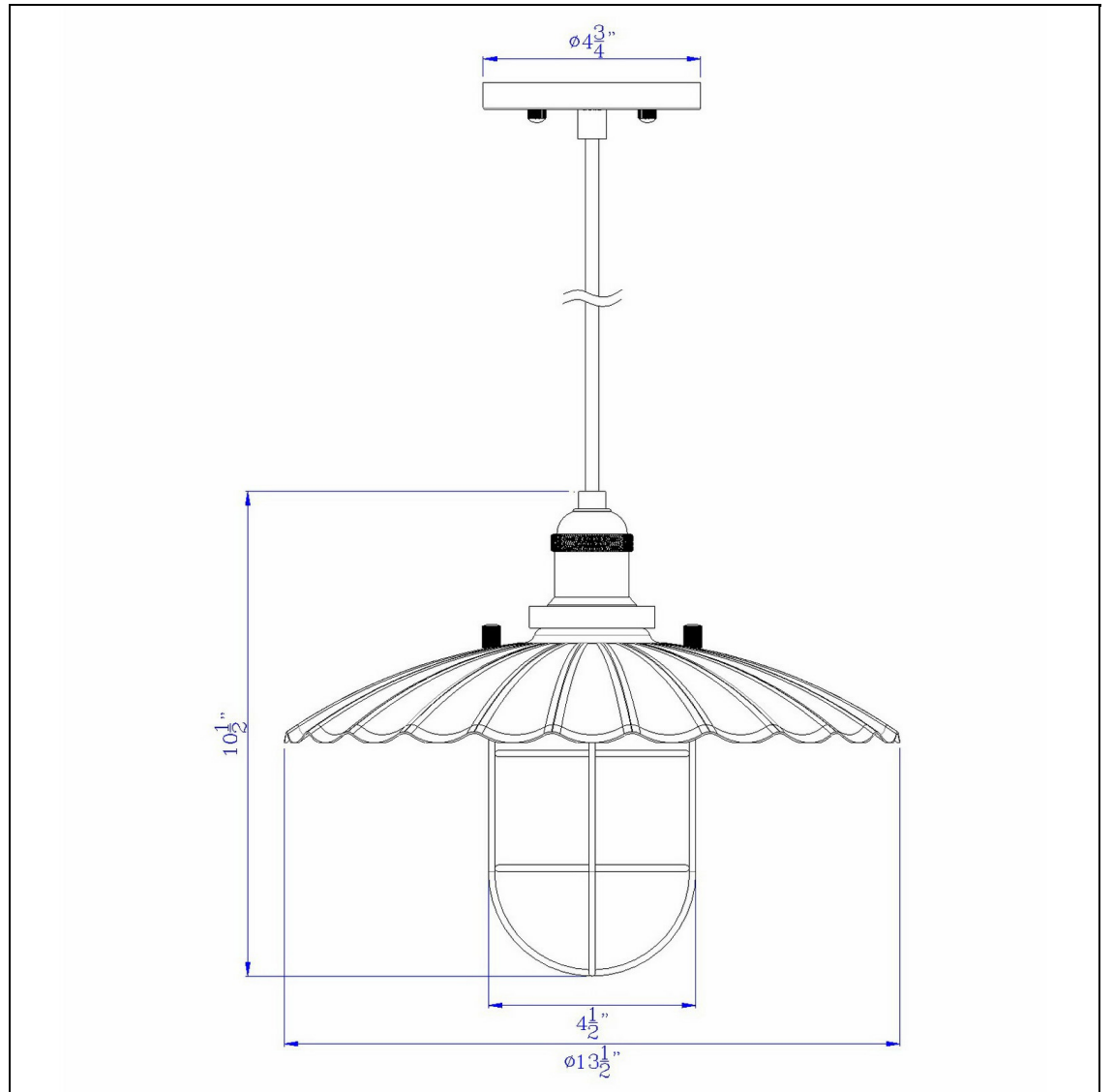


Product No. **FX-3725-1P**



Description

Olive Old industrial Metal Pendant With Glass Shield (Edison Bulb Not included)
Durable Metal Construction
Ships in One Carton
4.75" Canopy Included
6 Foot Cord
Features Decorative Grill Bulb Shield
Features Decorative Grill Bulb Shield
10.5" Height Metal Pendant in Rust Finish

Technical Specifications

UPC	020193067284	Carton 1 Dimensions	7.50 x 14.50 x 14.50
Wattage	60W	Carton 2 Dimensions	0.00 x 0.00 x 14.50
CRI	N/A	Package Dimensions	L: 14.50 W: 14.50 H: 7.50
Lumen	N/A		
Switch Type	Hardwired		
Bulb Base	E26		
Number of Lights	1		
Color	Rust		
Base Color	Rust		