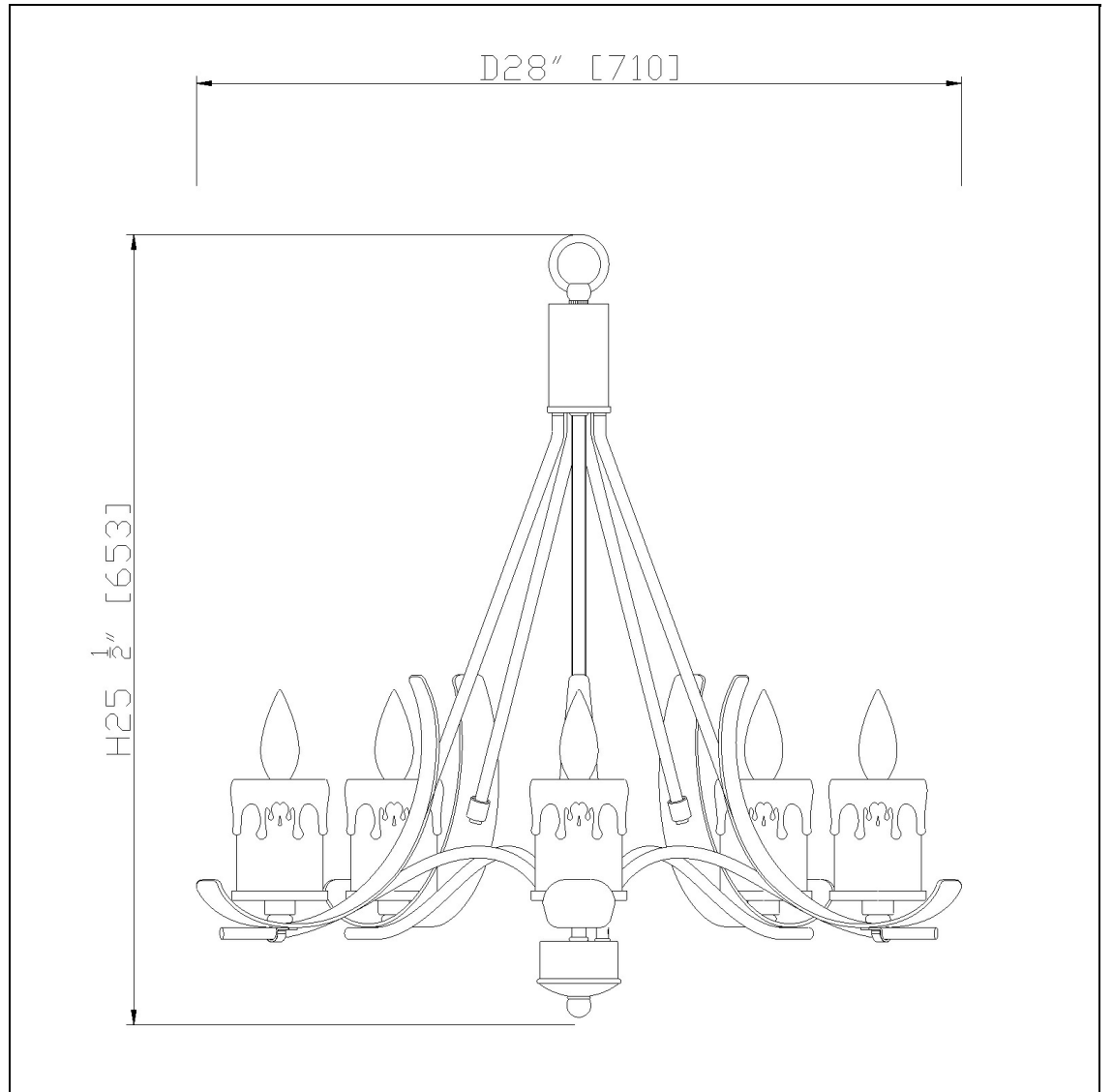


Product No. **FX-3561-5**



Description

5 Light Morelis Chandelier
Durable Metal Construction
6 Foot Chain
Ships In One Carton
10 Foot Cord
10 Foot Cord
25.5" Inch Tall Metal Chandelier in Black
Smith Finish

Technical Specifications

UPC	020193067284	Carton 1 Dimensions	15.60 x 14.80 x 29.80
Wattage	60WX5	Carton 2 Dimensions	0.00 x 0.00 x 29.80
CRI	N/A	Package Dimensions	L: 29.80 W: 14.80 H: 15.60
Lumen	N/A		
Switch Type	Hardwired		
Bulb Base	E12		
Number of Lights	5		
Color	Black Smith		
Base Color	Black Smith		