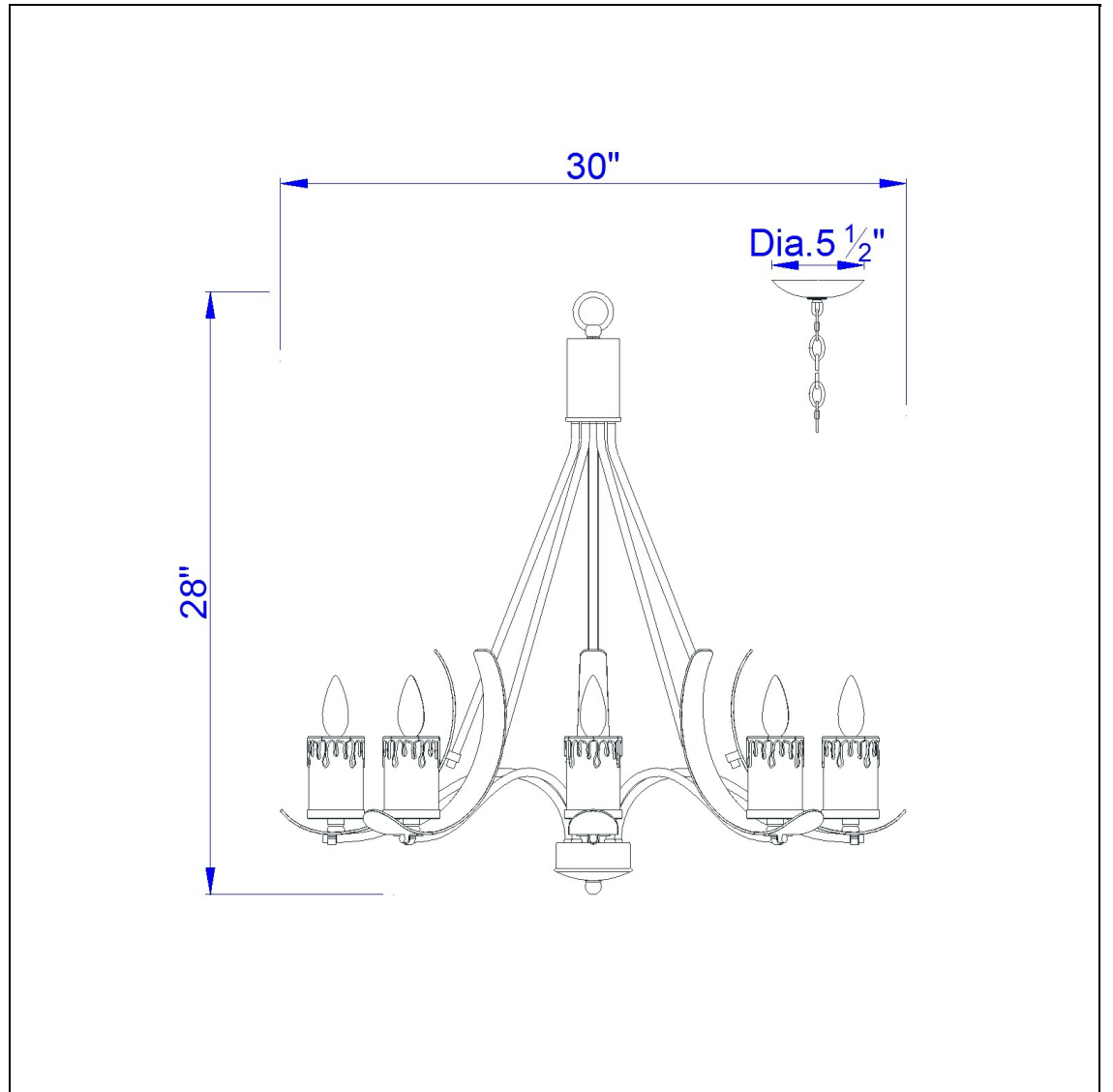


Product No. **FX-3561-8**



Description

8 Light Morelia Chandelier
Durable Metal Construction
6 Foot Chain
Ships In One Carton
10 Foot Cord
10 Foot Cord
28" Inch Tall Metal Chandelier in Black Smith Finish

Technical Specifications

| | | | |
|-------------------------|--------------|----------------------------|----------------------------|
| UPC | 020193067284 | Carton 1 Dimensions | 16.80 x 17.10 x 32.90 |
| Wattage | 60WX8 | Carton 2 Dimensions | 0.00 x 0.00 x 32.90 |
| CRI | N/A | Package Dimensions | L: 32.90 W: 17.10 H: 16.80 |
| Lumen | N/A | | |
| Switch Type | Hardwired | | |
| Bulb Base | E12 | | |
| Number of Lights | 8 | | |
| Color | Black Smith | | |
| Base Color | Black Smith | | |