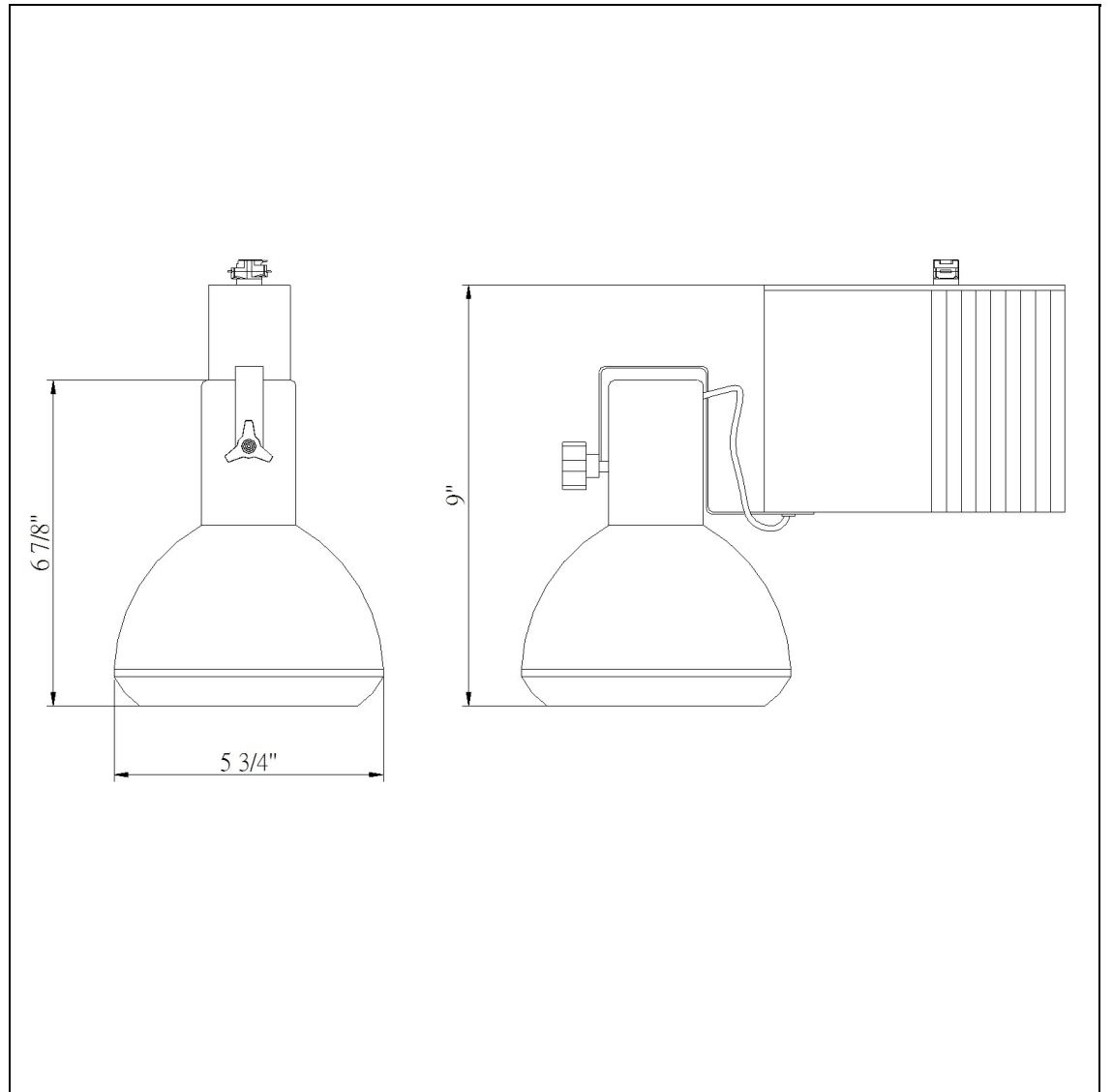


Product No. **HT-903-100W-BS**



Description

Metal Halide, M90, 100W, Elec Ballast
Durable Metal Construction
100W max
+90 degree from horizontal
355 Degree Rotation Capability
Ships in one Carton
Ships in one Carton

Technical Specifications

UPC	020193067284
Wattage	100W
CRI	N/A
Lumen	N/A
Switch Type	Track
Bulb Base	Metal
Number of Lights	1
Color	Brushed Steel
Base Color	Brushed Steel