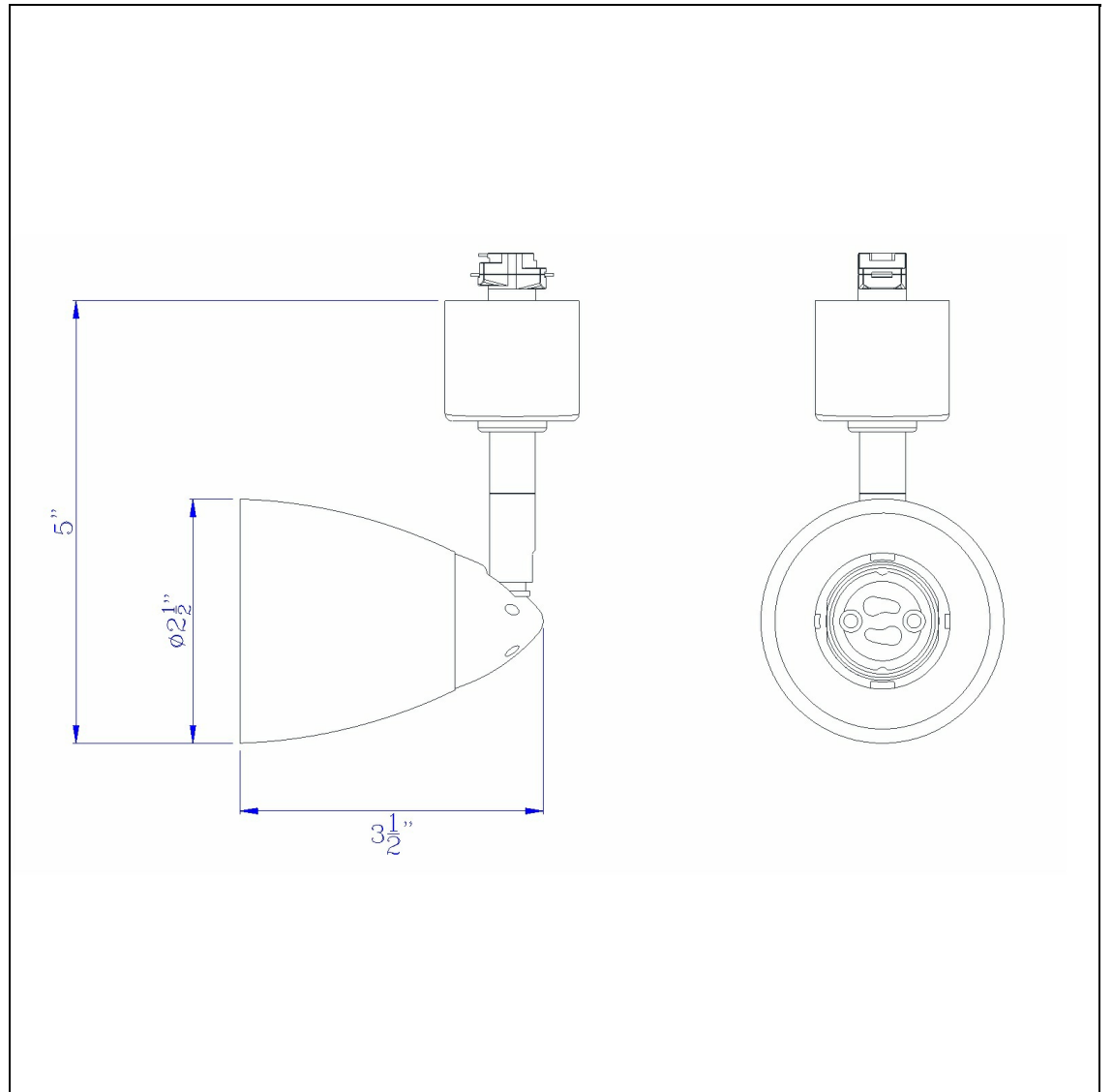


Product No. **HT-954-BS-BRED**



Description

120V, 50W, GU-10, Track Head
Durable Metal Construction
Ships in One Carton
Compatible with HT Three Wire, Once Circuit Track
Shade is Removable and Interchangeable
Hand Blown Glass Shade
Hand Blown Glass Shade
4.87" Tall Serpentine Track head with Shade

Technical Specifications

UPC	020193067284
Wattage	50W
CRI	N/A
Lumen	N/A
Switch Type	Track
Bulb Base	GU-10
Number of Lights	1
Color	Brushed Steel
Base Color	Brushed Steel

Carton 1 Dimensions	0.00 x 12.00 x 12.00
Carton 2 Dimensions	0.00 x 0.00 x 12.00
Package Dimensions	L: 12.00 W: 12.00