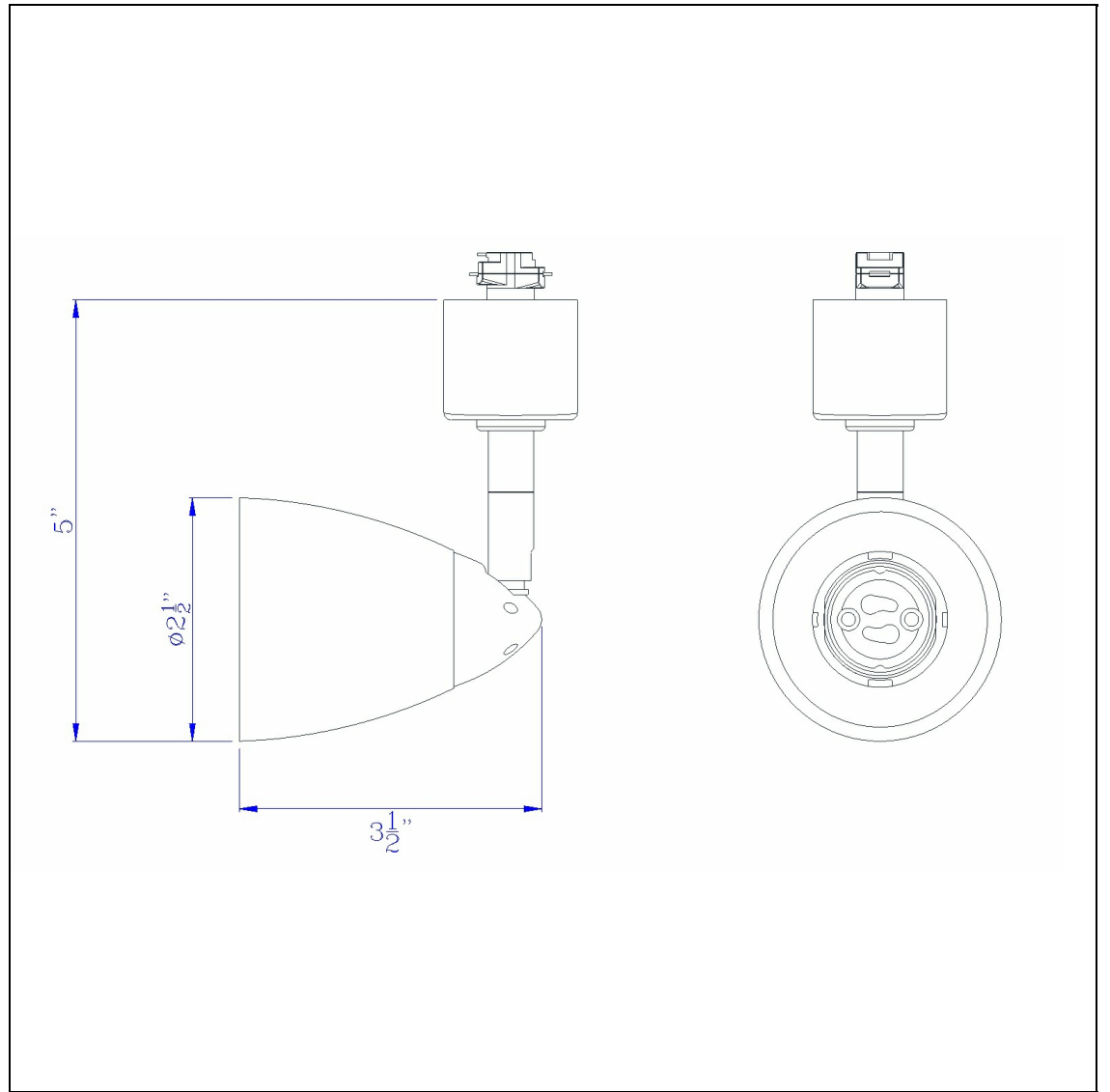


Product No. **HT-954-BS-GNF**



Description

GU10,120V,50W Track Head  
Durable Metal Construction  
Ships in One Carton  
Compatible with HT Three Wire, Once Circuit Track  
Shade is Removable and Interchangeable  
Hand Blown Glass Shade  
Hand Blown Glass Shade  
4.87" Tall Serpentine Track head with Shade

Technical Specifications

<b>UPC</b>	020193067284	<b>Carton 1 Dimensions</b>	0.00 x 12.00 x 12.00
<b>Wattage</b>	50W	<b>Carton 2 Dimensions</b>	0.00 x 0.00 x 12.00
<b>CRI</b>	N/A	<b>Package Dimensions</b>	L: 12.00 W: 12.00
<b>Lumen</b>	N/A		
<b>Switch Type</b>	Track		
<b>Bulb Base</b>	GU-10		
<b>Number of Lights</b>	1		
<b>Color</b>	Brushed Steel		
<b>Base Color</b>	Brushed Steel		