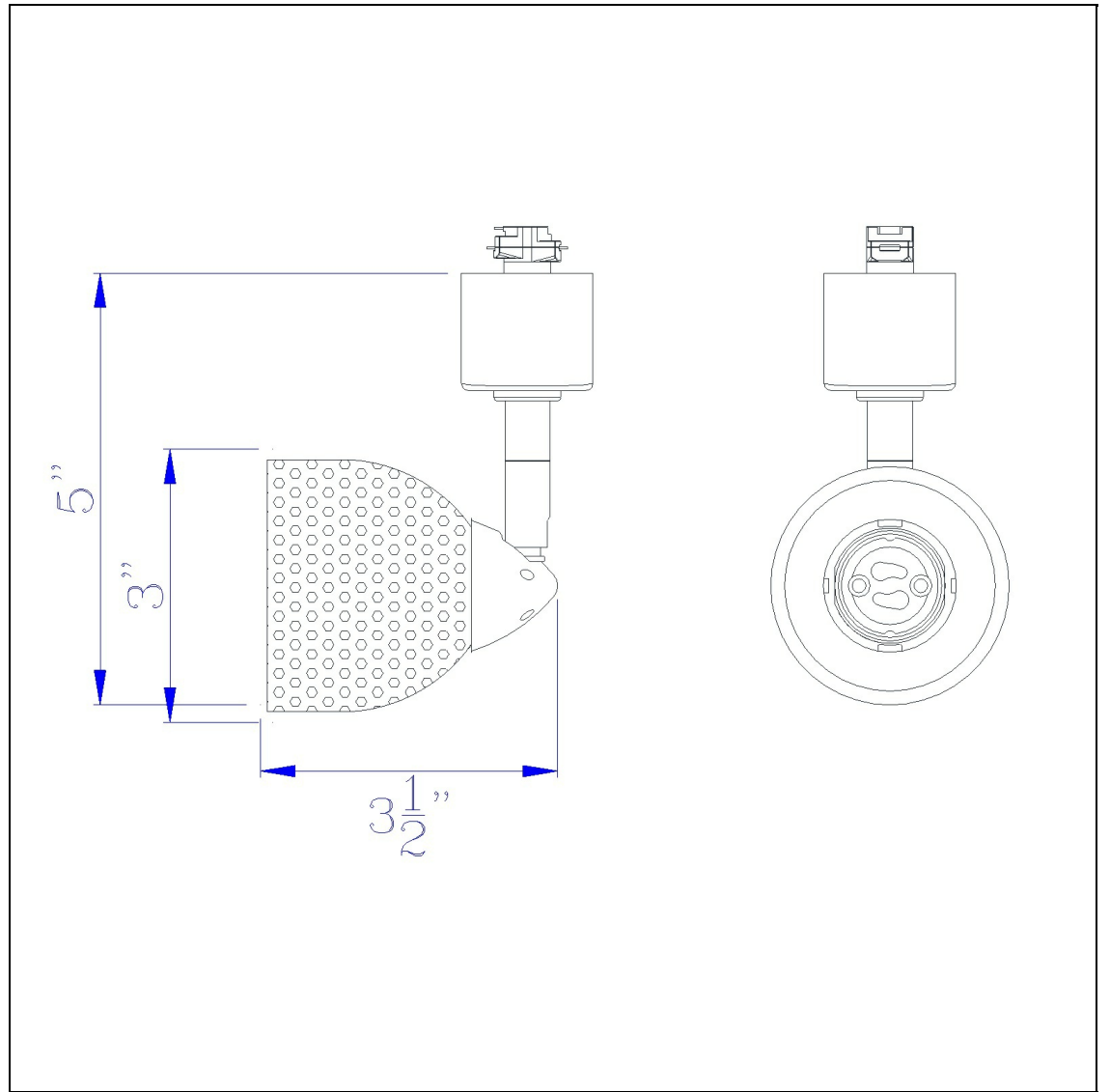


Product No. **HT-954-BS-MBS**



Description

120V, 50W, GU-10, Track Head  
Durable Metal Construction  
Ships in One Carton  
Compatible with HT Three Wire, Once Circuit Track  
Shade is Removable and Interchangeable  
Includes Matching Metal Shade  
Includes Matching Metal Shade  
4.87" Tall Serpentine Track head with Shade

Technical Specifications

<b>UPC</b>	020193067284	<b>Carton 1 Dimensions</b>	0.00 x 12.00 x 12.00
<b>Wattage</b>	50W	<b>Carton 2 Dimensions</b>	0.00 x 0.00 x 12.00
<b>CRI</b>	N/A	<b>Package Dimensions</b>	L: 12.00 W: 12.00
<b>Lumen</b>	N/A		
<b>Switch Type</b>	Track		
<b>Bulb Base</b>	GU-10		
<b>Number of Lights</b>	1		
<b>Color</b>	Brushed Steel		
<b>Base Color</b>	Brushed Steel		