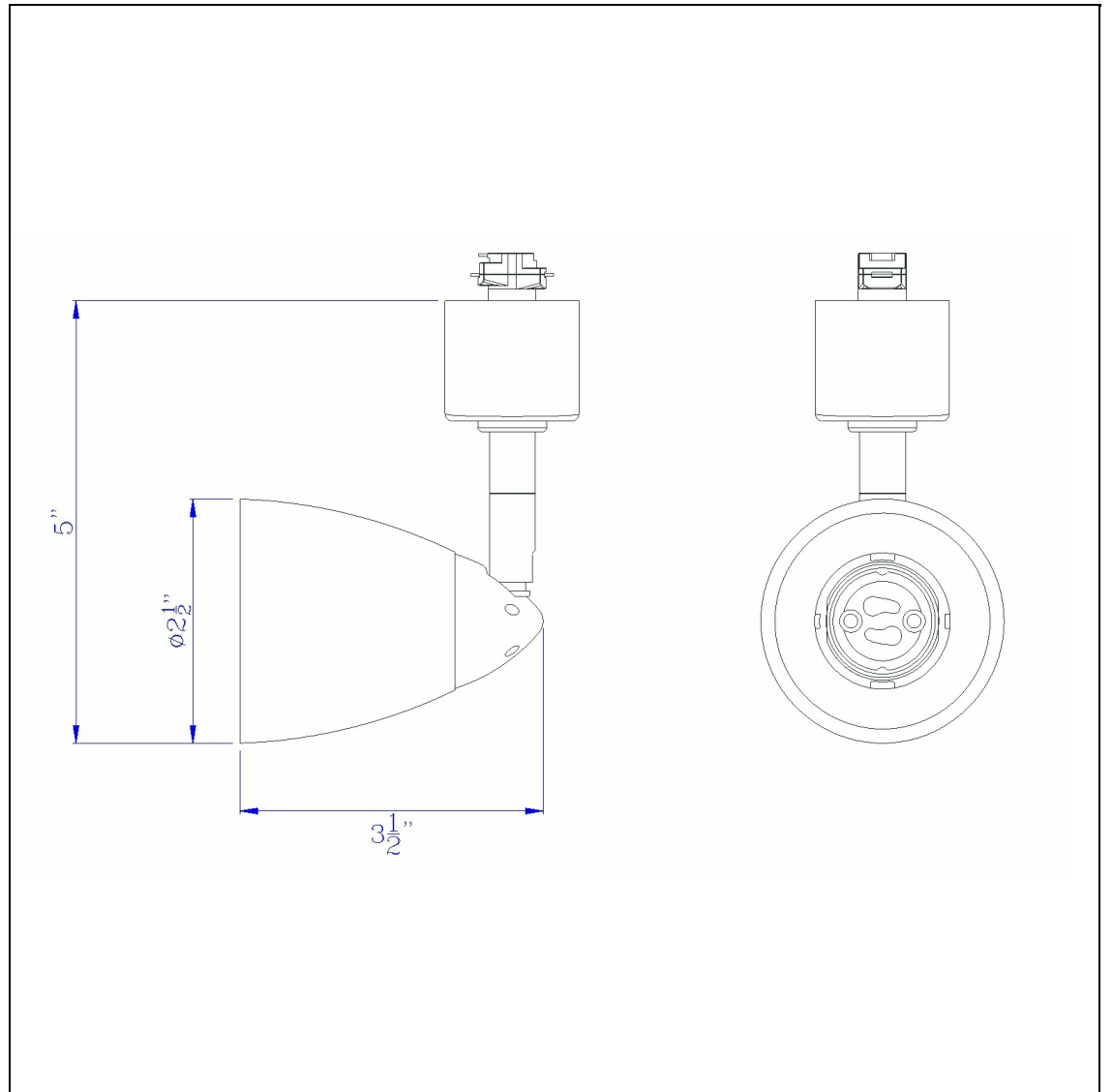


Product No. **HT-954-DB-BLS**



Description

120V, 50W, GU10, Track Head
Durable Metal Construction
Ships in One Carton
Compatible with HT Three Wire, Once Circuit Track
Shade is Removable and Interchangeable
Hand Blown Glass Shade
Hand Blown Glass Shade
4.87" Tall Serpentine Track head with Shade

Technical Specifications

UPC	020193067284	Carton 1 Dimensions	0.00 x 12.00 x 12.00
Wattage	50W	Carton 2 Dimensions	0.00 x 0.00 x 12.00
CRI	N/A	Package Dimensions	L: 12.00 W: 12.00
Lumen	N/A		
Switch Type	Track		
Bulb Base	GU-10		
Number of Lights	1		
Color	Dark Bronze		
Base Color	Dark Bronze		