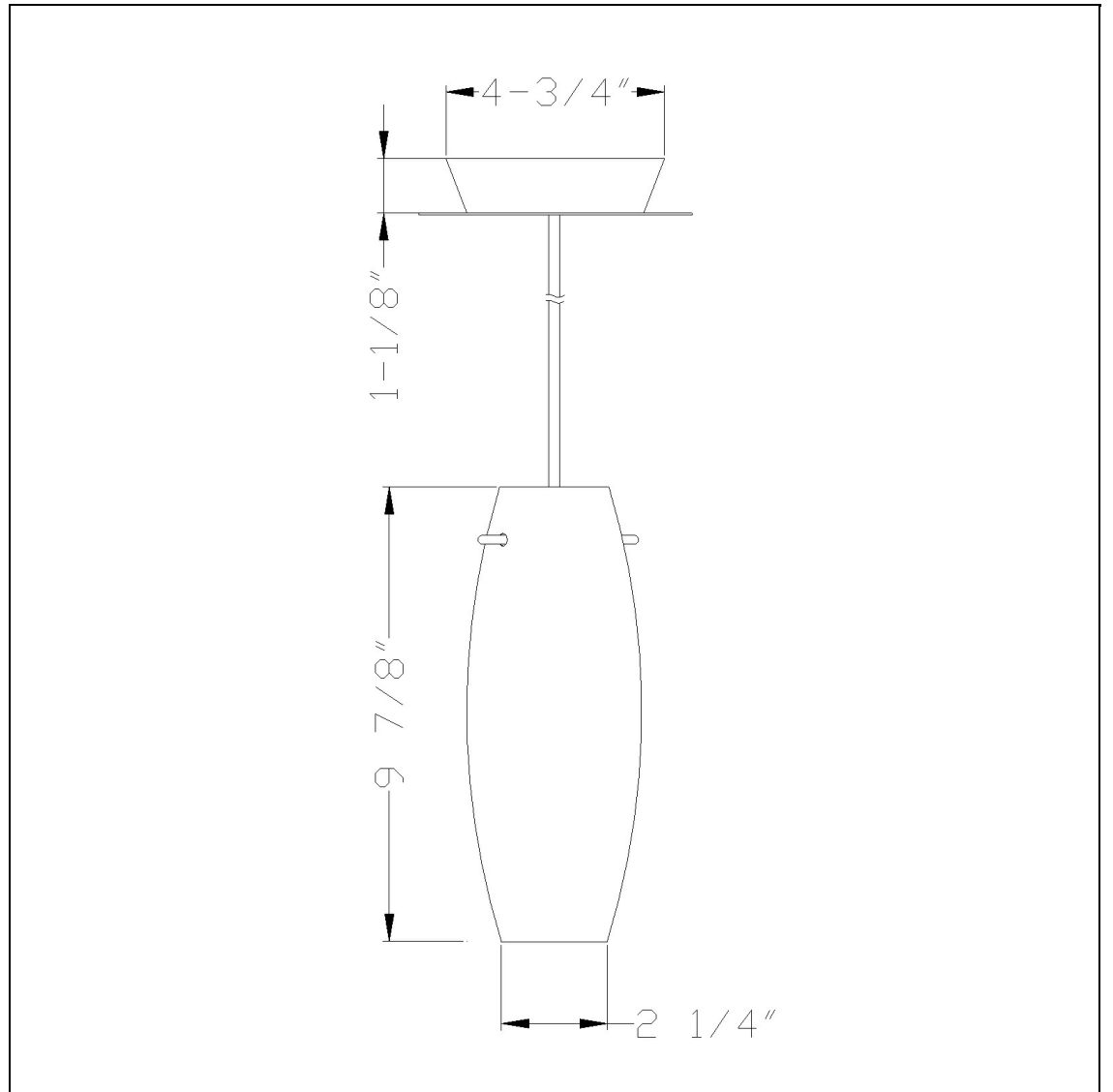


Product No. **UP-1016-6-BS**



Description

Uni Pack,G16.5,120V,60W Max,E12
Durable Metal Construction
Ships in One Carton
Canopy Included
72" Inch Cord Length
72" Inch Cord Length
9.8" Tall Metal Pendant in Rust

Technical Specifications

| | |
|-------------------------|---------------|
| UPC | 020193067284 |
| Wattage | 60W |
| CRI | N/A |
| Lumen | N/A |
| Switch Type | Hardwired |
| Bulb Base | E12 |
| Number of Lights | 1 |
| Color | Brushed Steel |
| Base Color | Brushed Steel |

| | |
|----------------------------|----------------------------|
| Carton 1 Dimensions | 17.60 x 13.00 x 19.10 |
| Carton 2 Dimensions | 0.00 x 0.00 x 19.10 |
| Package Dimensions | L: 19.10 W: 13.00 H: 17.60 |