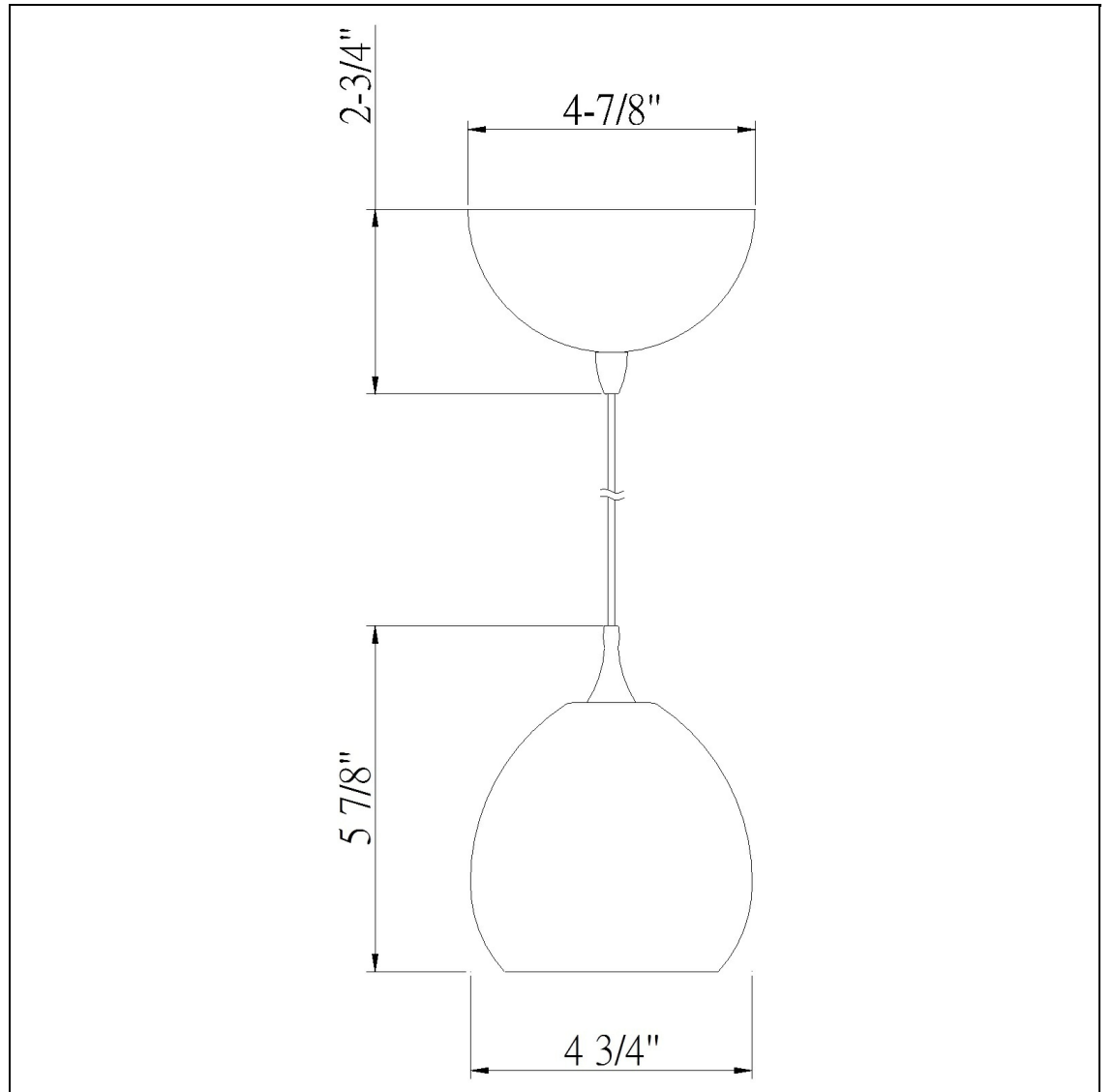


Product No. **UP-1065-6-BS**



Description

Uni Pack,12V,Jc,35W Max,G6.35
Durable Metal and Glass Construction
Ships in One Carton
Canopy Included
72" Inch Cord Length
72" Inch Cord Length
4.7" Tall Glass and Metal Pendant with
Brushed Steel

Technical Specifications

UPC	020193067284	Carton 1 Dimensions	13.40 x 15.40 x 22.80
Wattage	35W	Carton 2 Dimensions	0.00 x 0.00 x 22.80
CRI	N/A	Package Dimensions	L: 22.80 W: 15.40 H: 13.40
Lumen	N/A		
Switch Type	Hardwired		
Bulb Base	JC -G6.35		
Number of Lights	1		
Color	Blue		
Base Color	Brushed Steel		