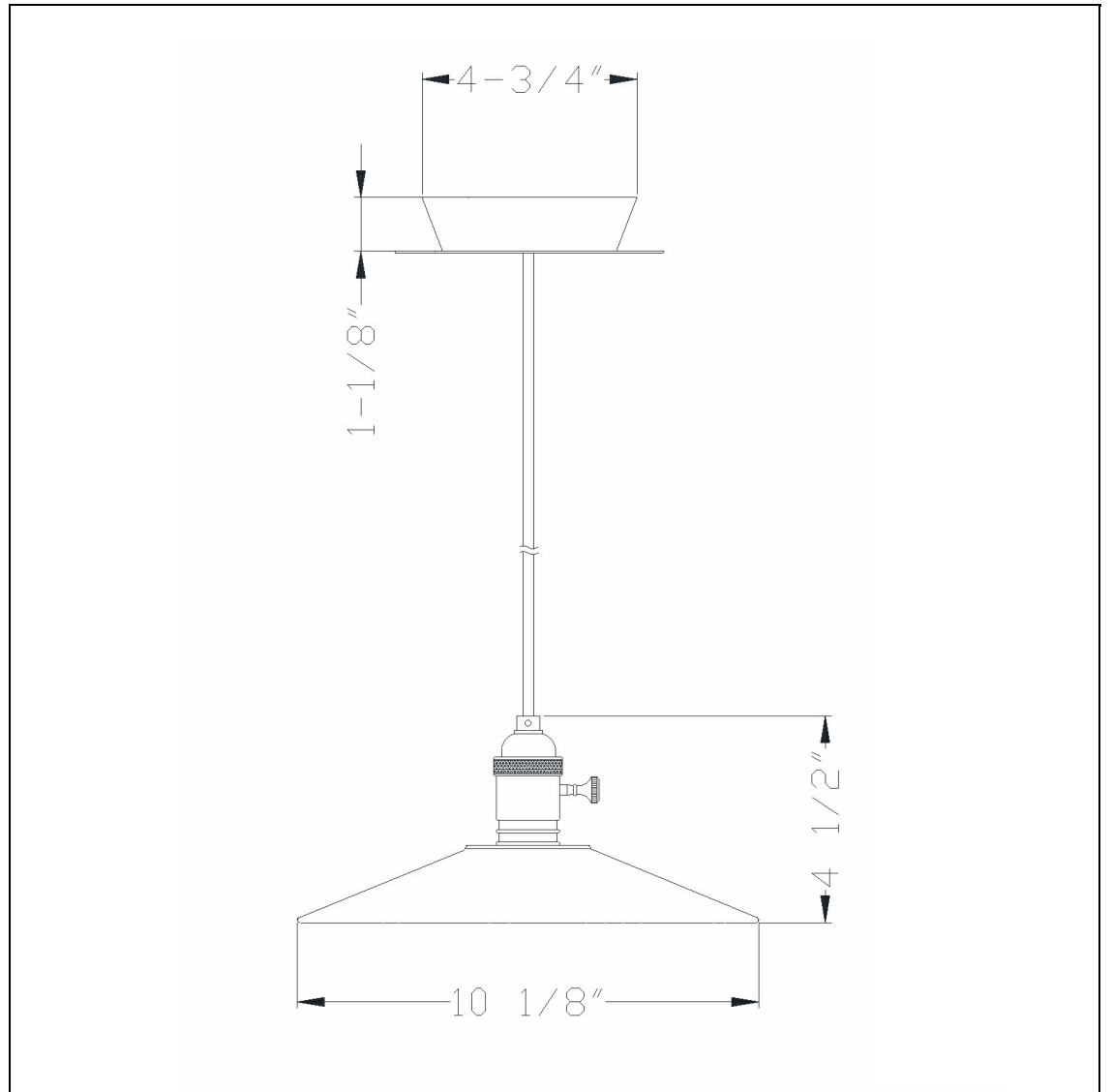


Product No. **UP-1097-6-MTL**



Description

Uni Pack,120V,60W Max,E27
Durable Metal Construction
Ships in One Carton
Canopy Included
72" Inch Cord Length
72" Inch Cord Length
4.5" Tall Glass Pendant with Brushed Steel
Cord

Technical Specifications

UPC 020193067284

Wattage 60W

CRI N/A

Lumen N/A

Switch Type Hardwired

Bulb Base E26

Number of Lights 1

Color Oil Rubbed Bronze

Base Color Oil Rubbed
Bronze/Chrome

Carton 1 Dimensions 6.80 x 23.30 x 34.50

Carton 2 Dimensions 0.00 x 0.00 x 34.50

Package Dimensions L: 34.50 W: 23.30 H: 6.80