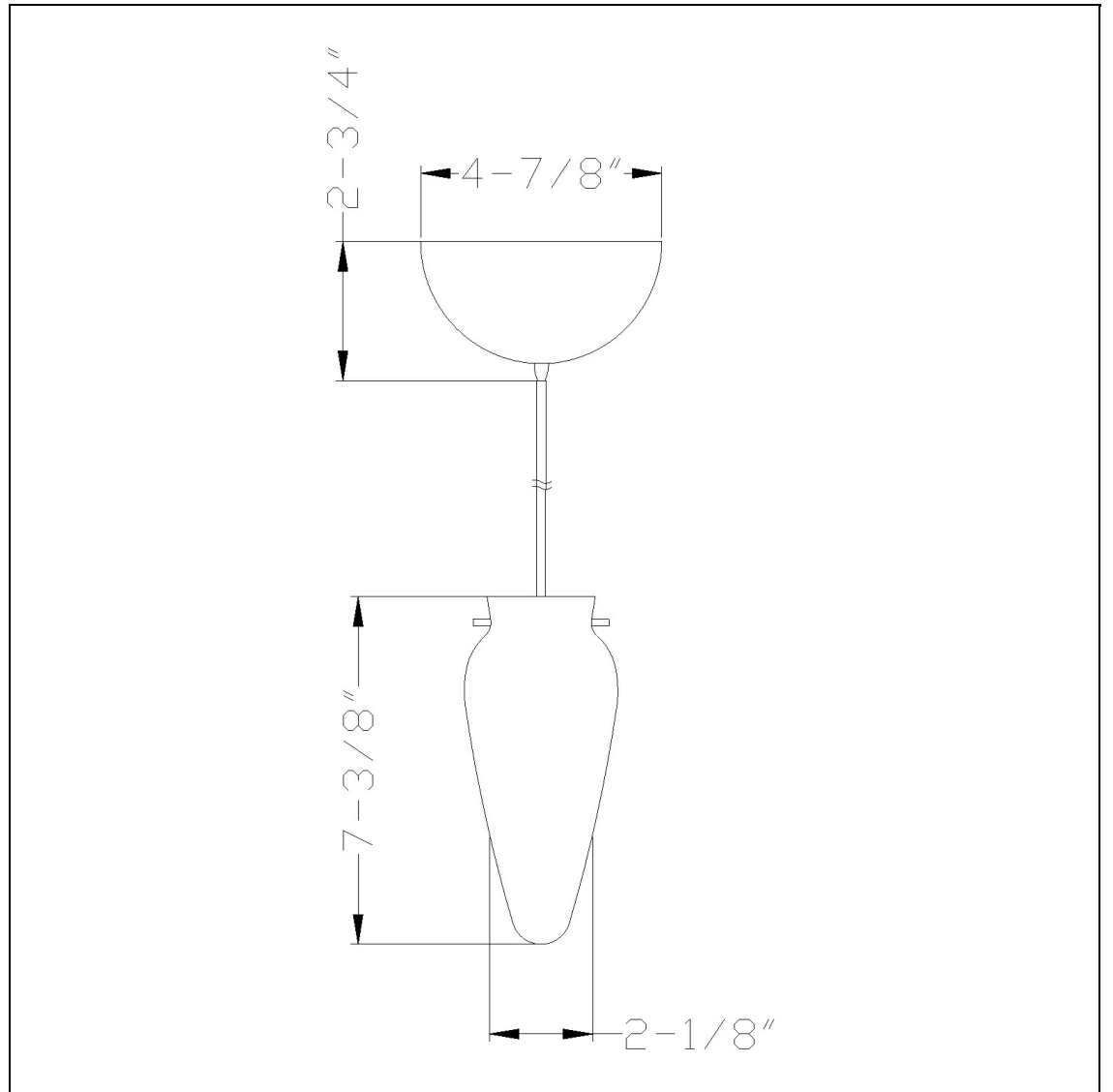


Product No. **UP-961-6-BS**



Description

Jc-Type, 12V, G6.35, 35W Max.
Durable Metal and Glass Construction
Ships in One Carton
Canopy Included
72" Inch Cord Length
72" Inch Cord Length
7.5" Tall Glass and Metal Pendant with
Brushed Steel Cord

Technical Specifications

UPC	020193067284
Wattage	35W
CRI	N/A
Lumen	N/A
Switch Type	Hardwired
Bulb Base	JC -G6.35
Number of Lights	1
Color	As Shown
Base Color	Brushed Steel

Carton 1 Dimensions	13.70 x 11.40 x 16.90
Carton 2 Dimensions	0.00 x 0.00 x 16.90
Package Dimensions	L: 16.90 W: 11.40 H: 13.70