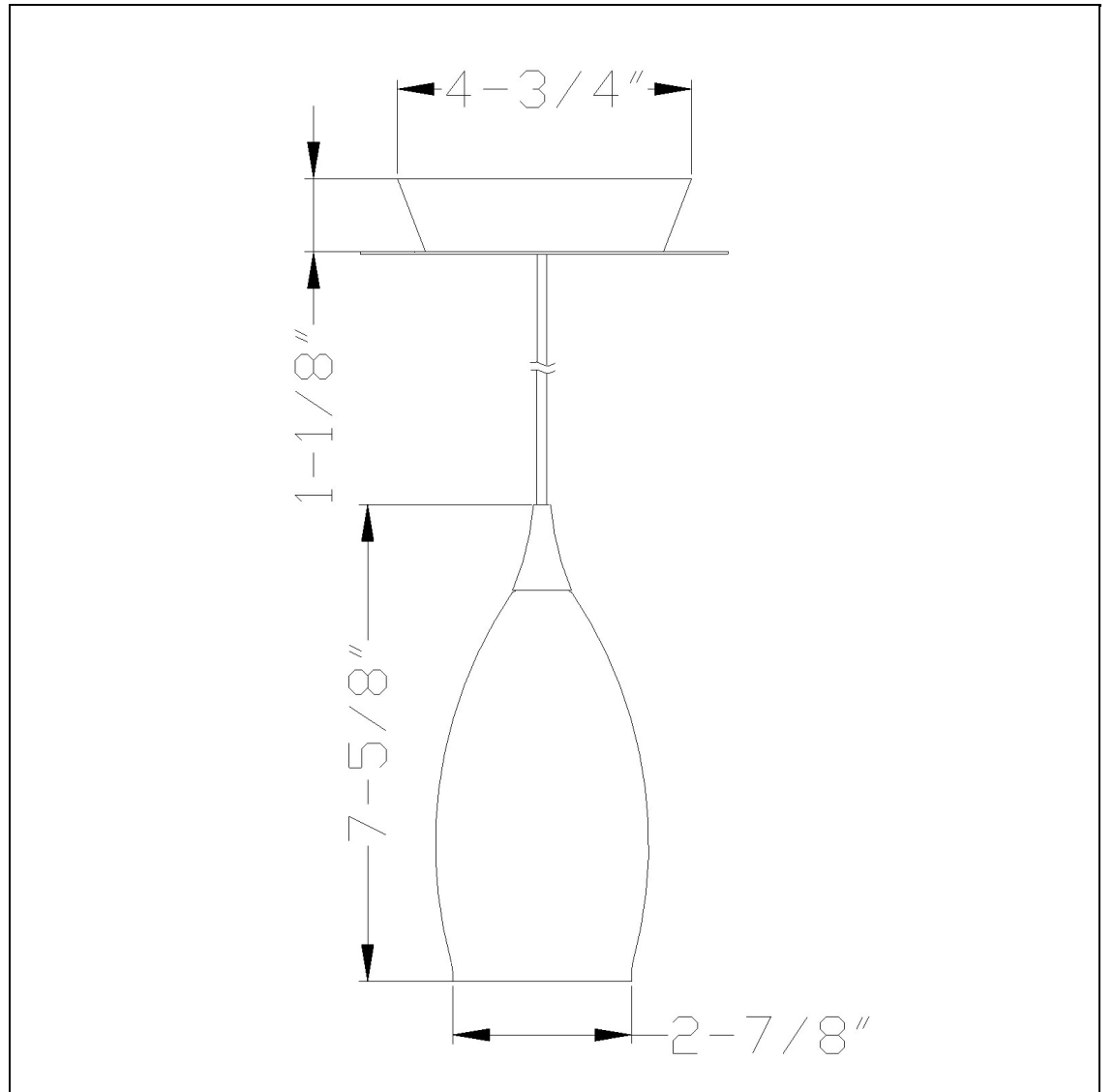


Product No. **UP-995-6-BS**



Description

Uni Pack,120V,60W Max,E12  
Durable Metal and Glass Construction  
Ships in One Carton  
Canopy Included  
72" Inch Cord Length  
72" Inch Cord Length  
6.3" Tall Glass Pendant with Brushed Steel  
Cord

Technical Specifications

<b>UPC</b>	020193067284
<b>Wattage</b>	40W
<b>CRI</b>	N/A
<b>Lumen</b>	N/A
<b>Switch Type</b>	Hardwired
<b>Bulb Base</b>	E12
<b>Number of Lights</b>	1
<b>Color</b>	Blue Speckle
<b>Base Color</b>	Brushed Steel

<b>Carton 1 Dimensions</b>	15.00 x 13.10 x 19.00
<b>Carton 2 Dimensions</b>	0.00 x 0.00 x 19.00
<b>Package Dimensions</b>	L: 19.00 W: 13.10 H: 15.00