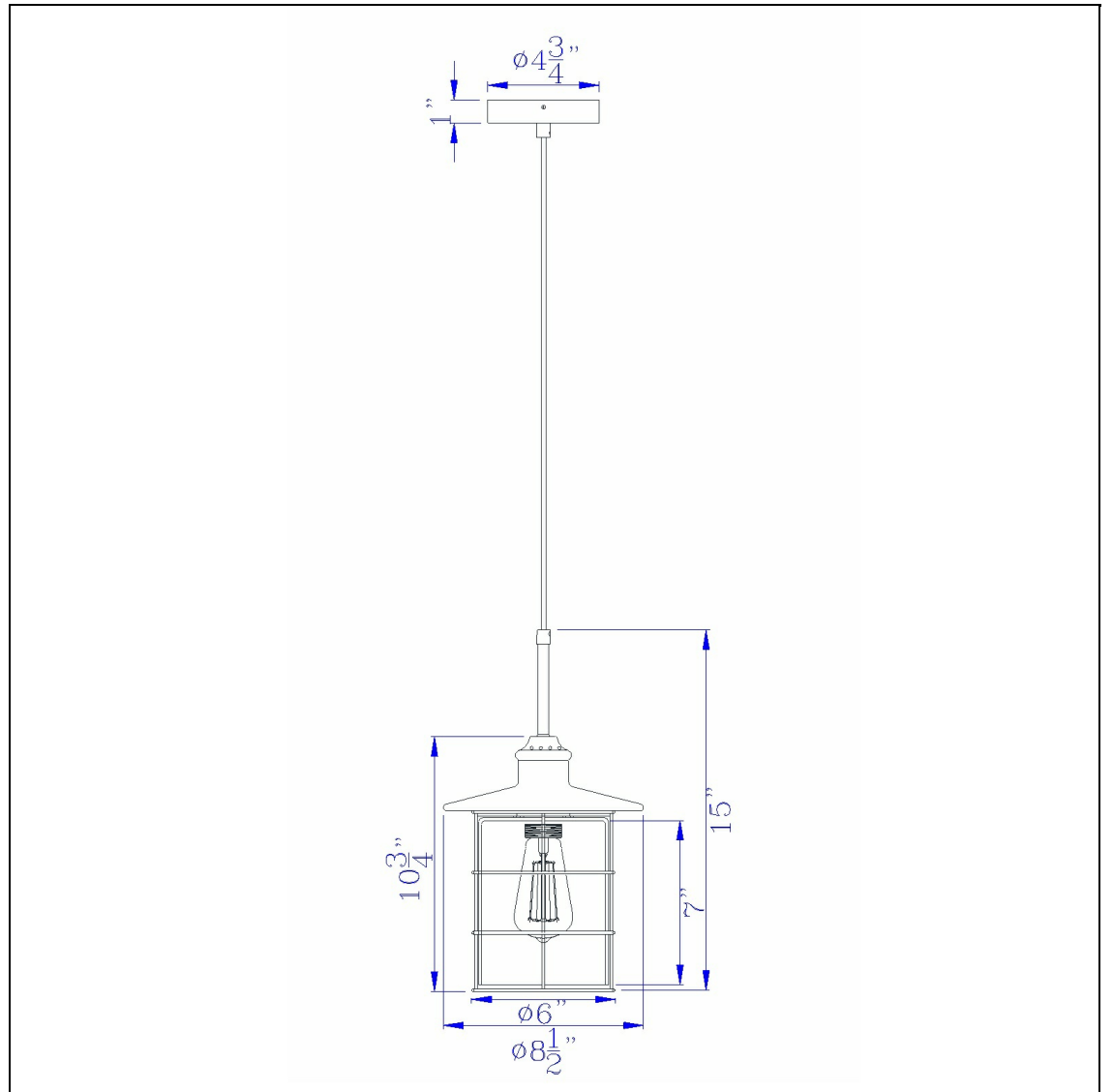


Product No. **FX-2668-1P**



Description

60W Silverton metal/glass pendant fixture (Edison bulbs included)  
Constructed with durable material  
Come with customizable 72" cord  
Clear glass with lantern design shade  
Cage design  
Canopy included  
Canopy included  
Add an industrial touch to your space with this lantern style hanging single light pendant. It featu

Technical Specifications

<b>UPC</b>	020193067284	<b>Shade Top1</b>	6.00
<b>Wattage</b>	60W	<b>Shade Bottom1</b>	6.00
<b>Switch Type</b>	E26	<b>Shade Side</b>	7.00
<b>Bulb Base</b>	E26	<b>Carton 1 Dimensions</b>	10.80 x 10.30 x 13.00
<b>Number of Lights</b>	1	<b>Carton 2 Dimensions</b>	0.00 x 0.00 x 13.00
<b>Color</b>	Dark Bronze	<b>Package Dimensions</b>	L: 13.00 W: 10.30 H: 10.80
<b>Base Color</b>	Glass		