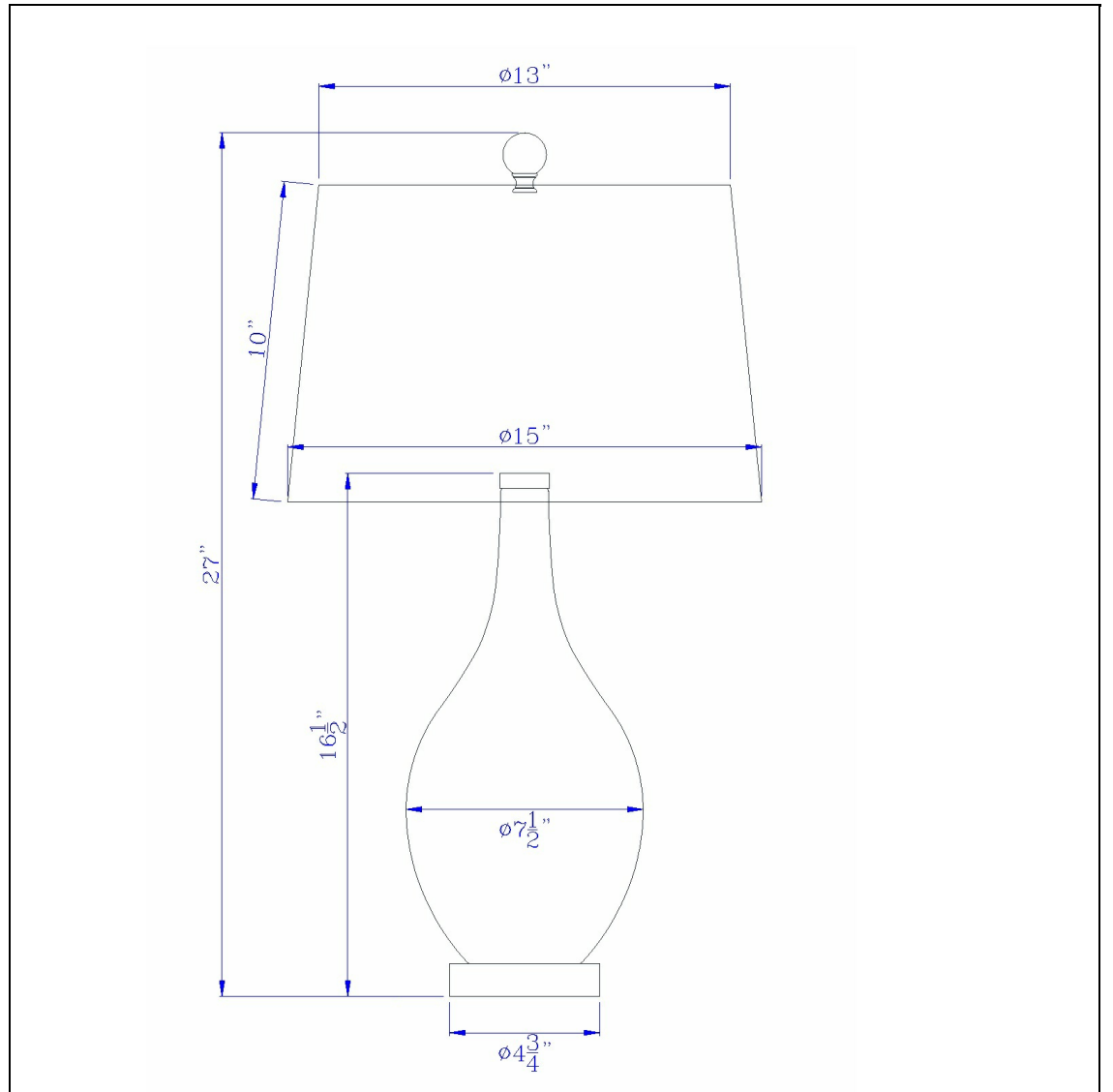


Product No. **BO-2996TB**



Description

150W 3 way Harlan glass table lamp with hardback taper drum fabric shade
Hand blown art glass
Clear glass
Bowling pin shape
Floral pattern
Crystal base
Clear turquoise finish
Decorative crystal finial
Taper drum fabric shade
Add a touch of color to any room in your house with this hand blown art glass table lamp. It feature

Technical Specifications

UPC	020193067284	Shade Top1	13.00
Wattage	150W	Shade Bottom1	15.00
Switch Type	3WAY	Shade Side	10.00
Bulb Base	E26	Carton 1 Dimensions	22.00 x 16.00 x 16.00
Number of Lights	1	Carton 2 Dimensions	0.00 x 0.00 x 16.00
Color	Clear / Turquoise	Package Dimensions	L: 16.00 W: 16.00 H: 22.00
Base Color	Clear		