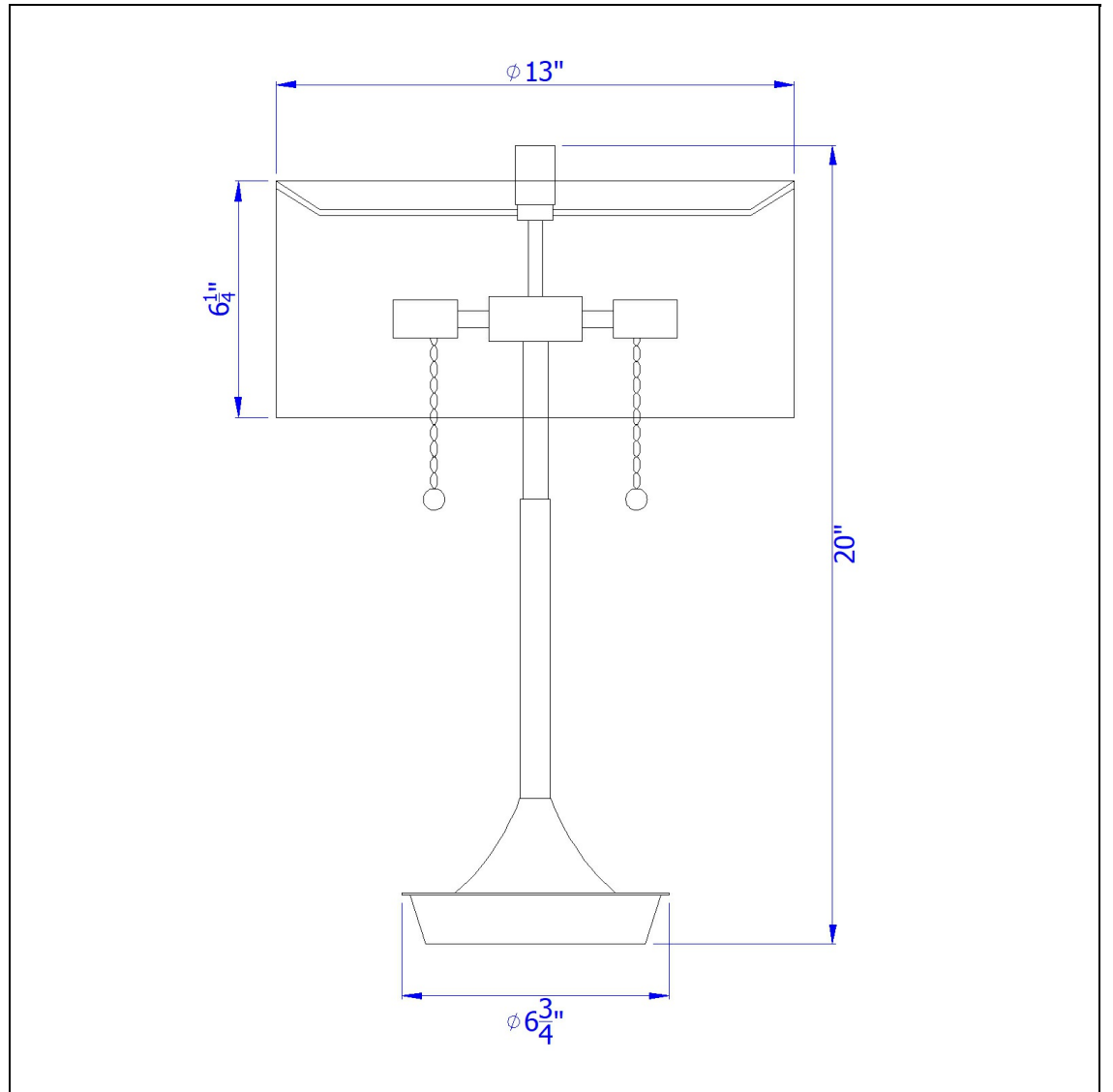


Product No. **BO-3028TB**



Description

Kendal metal table lamp with pull chain switch, drum fabric shade
Durable Metal Construction
Stick Lamp
Pull Chain Switch
Hardback Linen Shade
Weighted Base for Added Stability
Ships in One Carton
Update your space with this simple yet elegant table lamp. It features a slender pole style frame wi

Technical Specifications

UPC	020193067284	Shade Top1	13.00
Wattage	60W X 2	Shade Bottom1	13.00
Switch Type	ON/OFF	Shade Side	6.25
Bulb Base	E26	Carton 1 Dimensions	10.80 x 14.00 x 17.80
Number of Lights	2	Carton 2 Dimensions	0.00 x 0.00 x 17.80
Color	Antique Brass	Package Dimensions	L: 17.80 W: 14.00 H: 10.80
Base Color	Antique Brass		