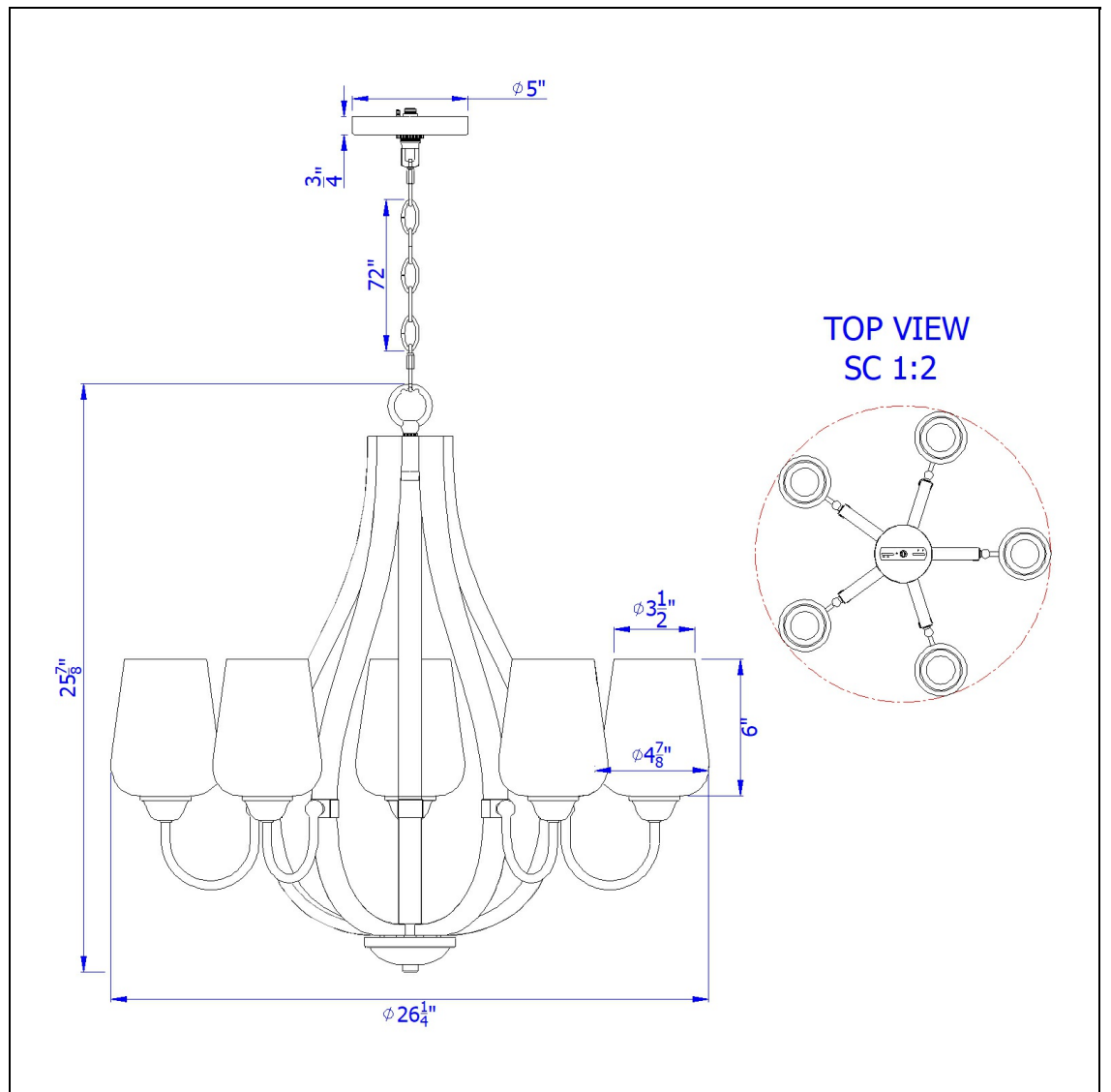


Product No. **FX-3773-5**



Description

Newport metal chandelier with glass shades
Durable Metal Construction
Tear Drop Style Frame
Clear White Glass Shades
Upturned Stule
Includes 6 Feet of Chain
Canopy Included
With a brushed steel finish, this metal chandelier is styled to complement any contemporary or moder

Technical Specifications

UPC	020193067284	Shade Top1	3.54
Wattage	60W X 5	Shade Bottom1	4.88
Bulb Base	E26	Shade Side	5.98
Number of Lights	5	Carton 1 Dimensions	8.50 x 26.00 x 26.00
Color	Brushed Steel	Carton 2 Dimensions	0.00 x 0.00 x 26.00
Base Color	Brushed Steel	Package Dimensions	L: 26.00 W: 26.00 H: 8.50