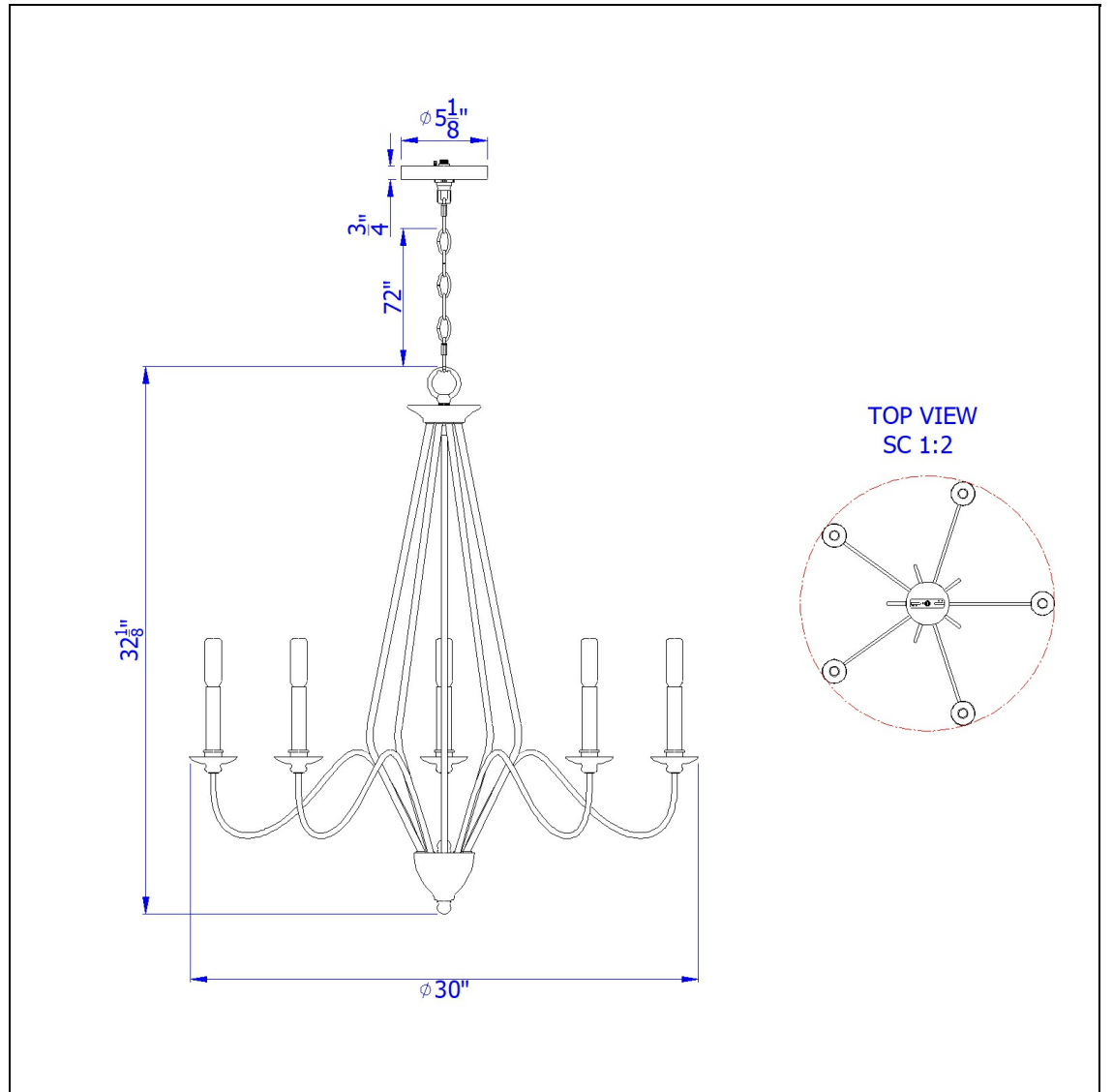


Product No. **FX-3774-5**



Description

Norwich metal chandelier
Durable Metal Construction
Canopy Included
Includes Six Feet of Chain
Chrome Finish
Ships in One Carton
Hardwired
With a chrome metal finish, this bold metal chandelier is styled to complement any contemporary or m

Technical Specifications

UPC	020193067284	Carton 1 Dimensions	15.30 x 14.00 x 31.80
Wattage	60W X 5	Carton 2 Dimensions	0.00 x 0.00 x 31.80
Bulb Base	E12	Package Dimensions	L: 31.80 W: 14.00 H: 15.30
Number of Lights	5		
Color	Chrome		
Base Color	Chrome		