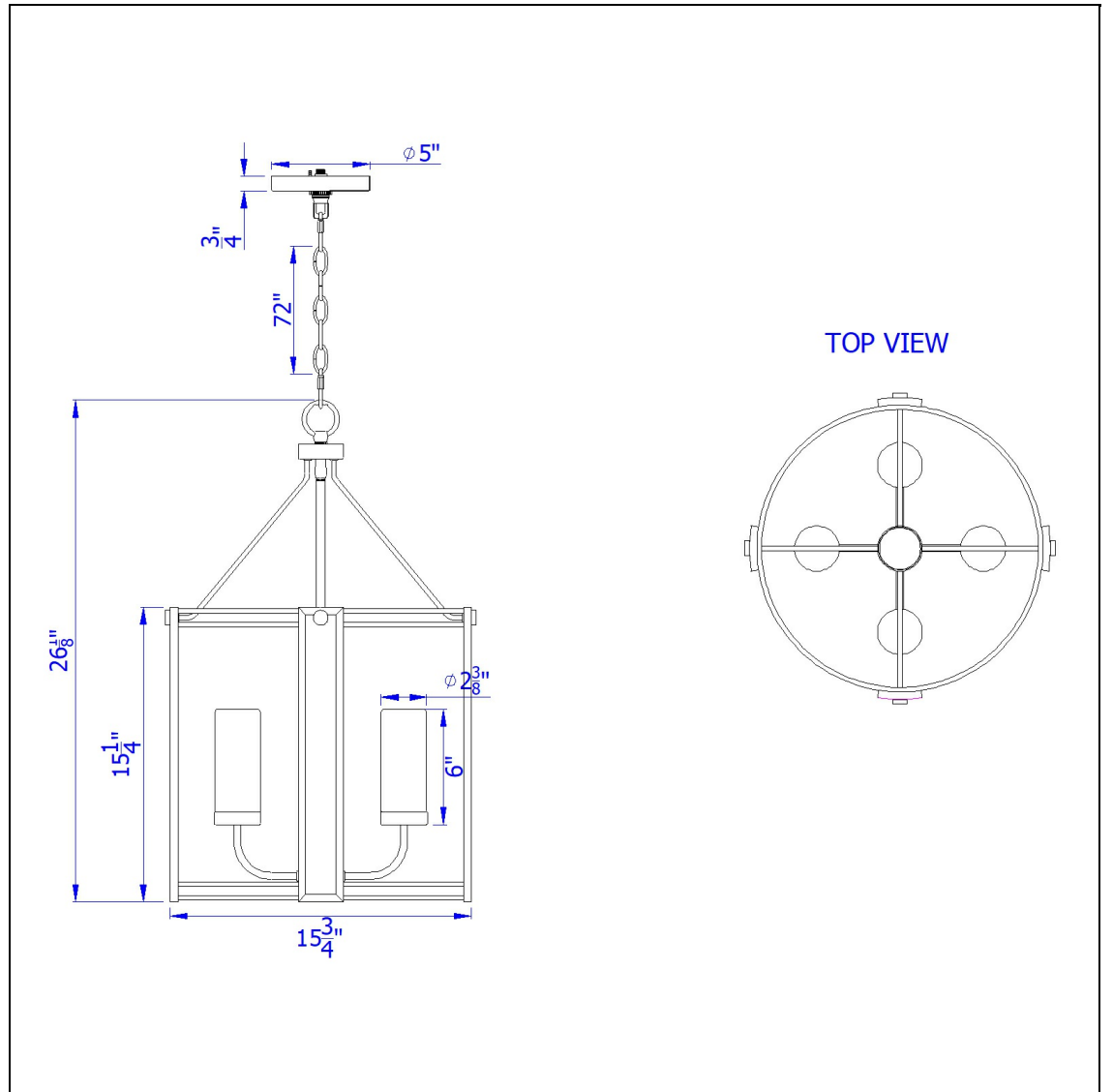


Product No. **FX-3777-4**



Description

Luton cage metal chandelier with glass shades
Durable Iron Construction
Matte Satin Finish
Circular Cage Design
Clear Cylinder Glass Shades
Includes 6 Feet of Chain
Canopy Included
Hardwired
Ships in One Carton
Update your d?or with this stylish dark iron chandelier fixture. It features a dark metal circular f

Technical Specifications

UPC	020193067284	Shade Top1	2.38
Wattage	60W X 4	Shade Bottom1	2.38
Bulb Base	E12	Shade Side	5.98
Number of Lights	4	Carton 1 Dimensions	16.80 x 15.50 x 18.30
Color	Iron	Carton 2 Dimensions	0.00 x 0.00 x 18.30
Base Color	Black	Package Dimensions	L: 18.30 W: 15.50 H: 16.80