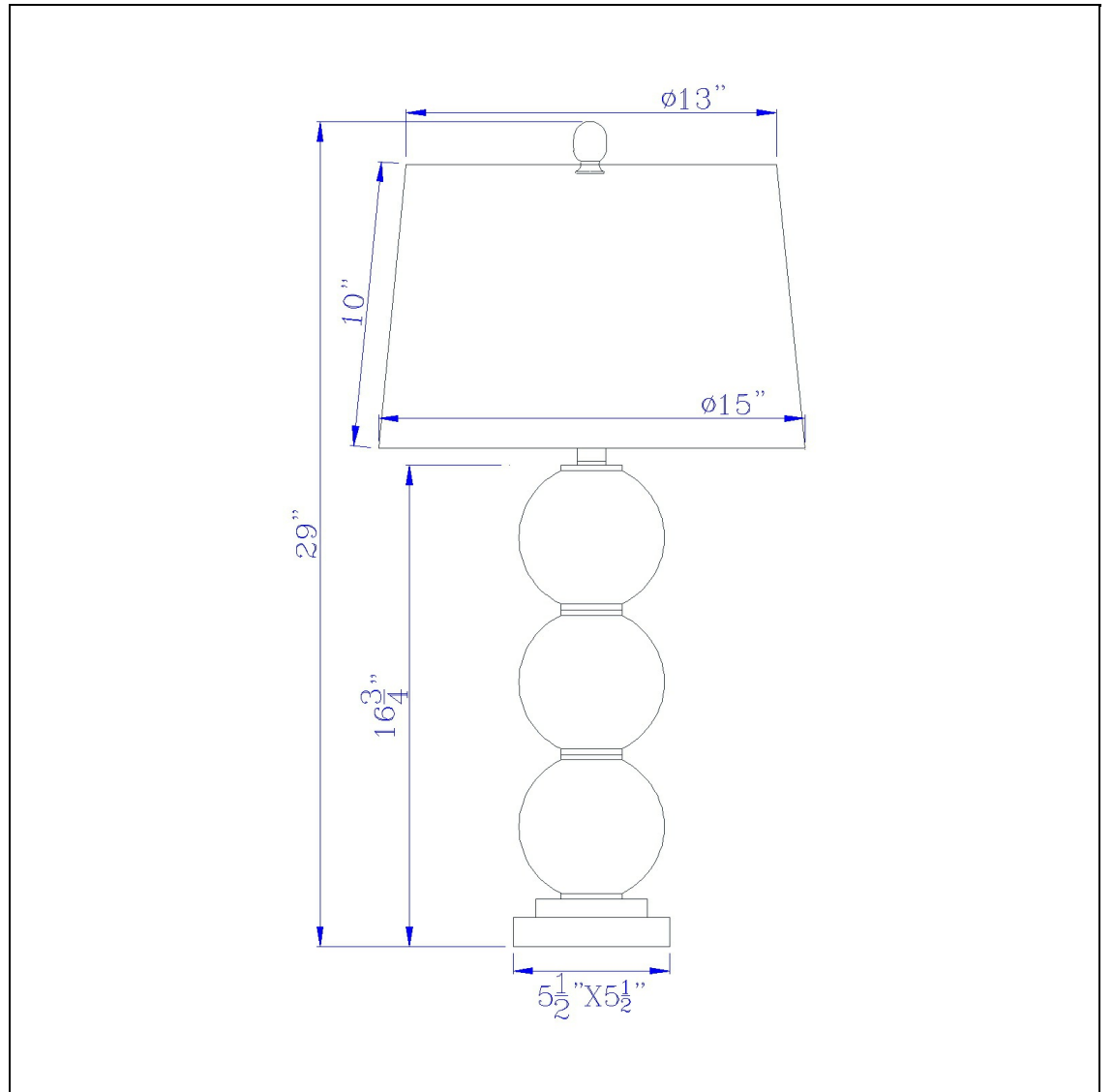


Product No. **BO-3069TB-2**



Description

150W 3 way Crosset crackle glass table lamp.  
Priced and sold as pairs  
Durable Glass Construction  
Sold as a Pair  
Ships in One Carton  
Little to No Assembly Required  
Hardback Linen Shade Included  
Clear Crackle Glass Orbs  
Add a touch of glam to your space with this set of stacked orb table lamps. These lamps feature a cr

Technical Specifications

<b>UPC</b>	020193067284	<b>Shade Top1</b>	13.00
<b>Wattage</b>	150W	<b>Shade Bottom1</b>	15.00
<b>Switch Type</b>	3 WAY	<b>Shade Side</b>	10.00
<b>Bulb Base</b>	E26	<b>Carton 1 Dimensions</b>	20.00 x 16.00 x 16.00
<b>Number of Lights</b>	2	<b>Carton 2 Dimensions</b>	0.00 x 0.00 x 16.00
<b>Color</b>	Glass	<b>Package Dimensions</b>	L: 16.00 W: 16.00 H: 20.00